

PARTS LIST

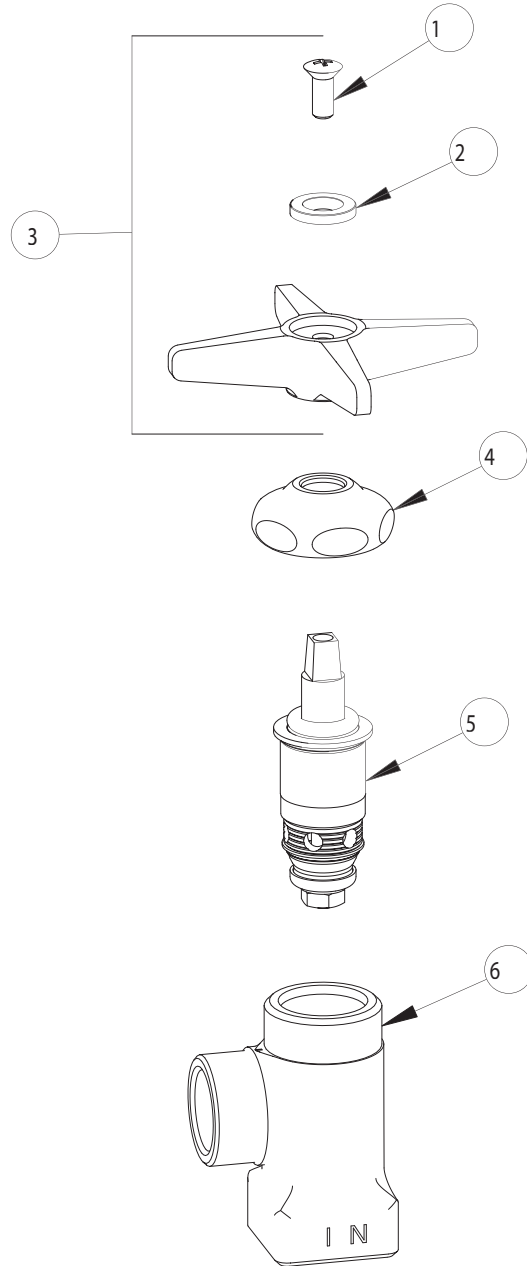
BY: SID
CHK'D:



FINISH:
DATE:

AS SPECIFIED
09-04-01

442



ITEM NO.	PART NO.	DESCRIPTION
1	420-010	SCREW
2	633-223	INDEX BUTTON (WHITE)
3	633PL	4-ARM PLAIN HANDLE ASSEMBLY
4	1-214	CAP
5	217XTLH	SLO-COMPRESSION UNIT (LH)
6	-----	VALVE BODY (NOT SOLD SEPARATELY)