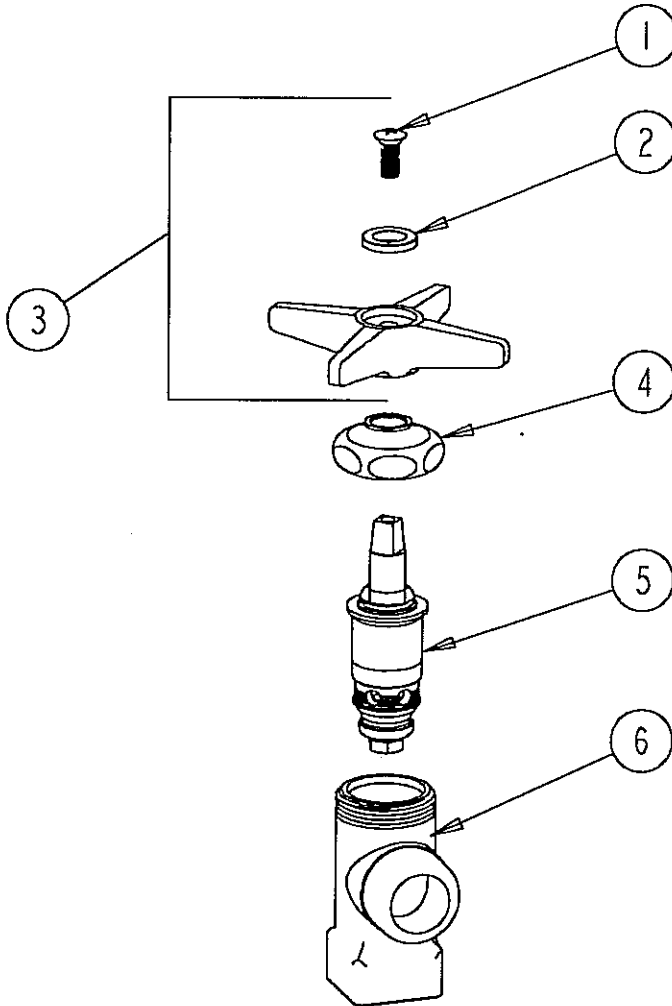


PARTS LIST

CHICAGO FAUCETS
Last As Long As the Building

441



NO.	PART NO.	DESCRIPTION
1	420-010	SCREW
2	633-223	BUTTON WHITE INDEX (PLAIN)
3	633	4-ARM CROSS HANDLE
4	1-214	CAP
5	217-XTLH	LH COMPRESSION UNIT
6	-----	VALVE BODY NOT SOLD SEPARATELY