

CHICAGO FAUCETS 

a Geberit company

FOR TECHNICAL ASSISTANCE
1-800-TEC-TRUE (1-800-832-8783)

2100 South Clearwater Drive
Des Plaines, IL 60018
Phone: 847-803-5000
Fax: 847-803-5454
www.chicagofaucets.com

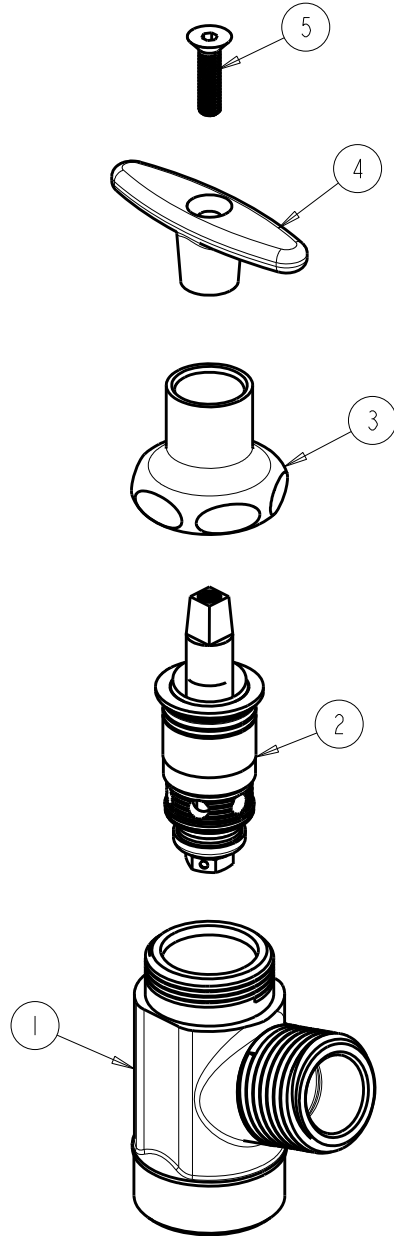
REPAIR PARTS

BY: SID DATE: 08-08-22

CHK: REV:

FITTING NO.
387-LEF
387-LEFRCF
SUBMITTED MODEL NO.

ITEM NO.



| ITEM | PART NO. | DESCRIPTION |
|------|----------------|----------------------------------|
| 1 | ----- | BODY NOT SOLD SEPARATELY |
| 2 | 217-XTLHJKABNF | CARTRIDGE, SLO-COMPRESSION (LH) |
| 3 | 1-246JKCP | NUT, CAP LOOSE KEY 1-1/8-18 UNEF |
| 4 | 293-006JKRCF | TEE HANDLE (INCLUDES SCREW) |
| 5 | 420-021JKNF | SCREW, 1/8 FLAT HEX HEAD X 1/2 |