

**CHICAGO FAUCETS**  
a Geberit company

2100 South Clearwater Drive  
Des Plaines, IL 60018  
Phone: 847-803-5000  
Fax: 847-803-5454  
www.chicagofaucets.com

**REPAIR PARTS**

BY: SID DATE: 04-08-02

CHK: *[Signature]* REV: 06-11-09

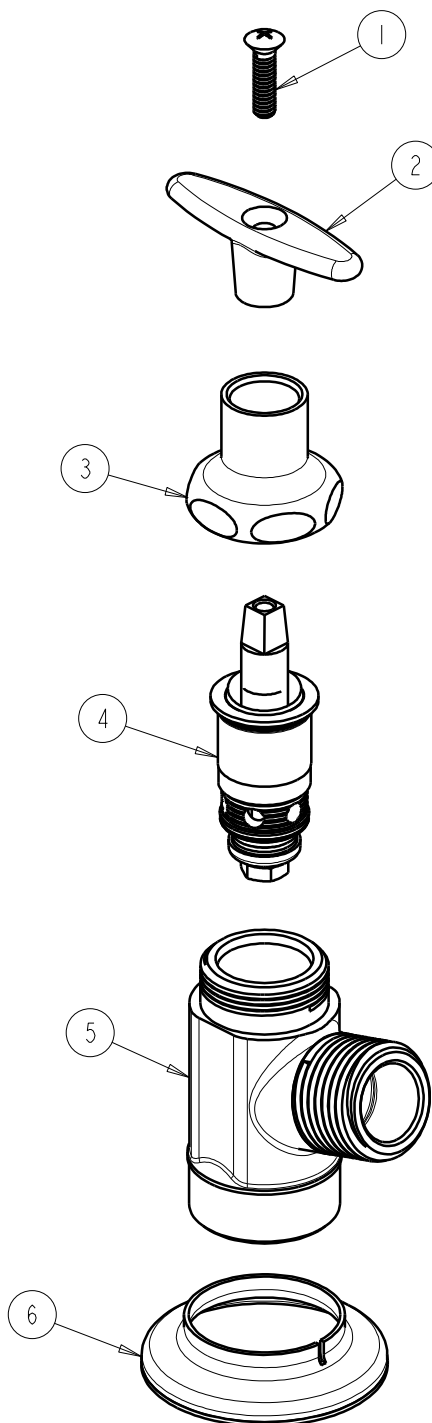
FITTING NO.

**387-CP**

SUBMITTED MODEL NO.

ITEM NO.

**FOR TECHNICAL ASSISTANCE**  
**1-800-TEC-TRUE (1-800-832-8783)**



ITEM	PART NO.	DESCRIPTION
1	250-093JKRCF	SCREW
2	293-006JKRCF	HANDLE, TEE INCLUDES SCREW
3	1-246JKCP	NUT, CAP LOOSE KEY 1-1/8-18 UNEF
4	217-XTLHJKNF	CARTRIDGE, SLO-COMPRESSION
5	-----	BODY NOT SOLD SEPARATELY
6	387-012JKRCF	FLANGE, HOSE BIBB