

**CHICAGO FAUCETS**  
a Geberit company

2100 South Clearwater Drive  
Des Plaines, IL 60018  
Phone: 847-803-5000  
Fax: 847-803-5454  
www.chicagofaucets.com

**REPAIR PARTS**

BY: SID DATE: 09-06-01  
CHK: *[Signature]* REV: 09-10-09

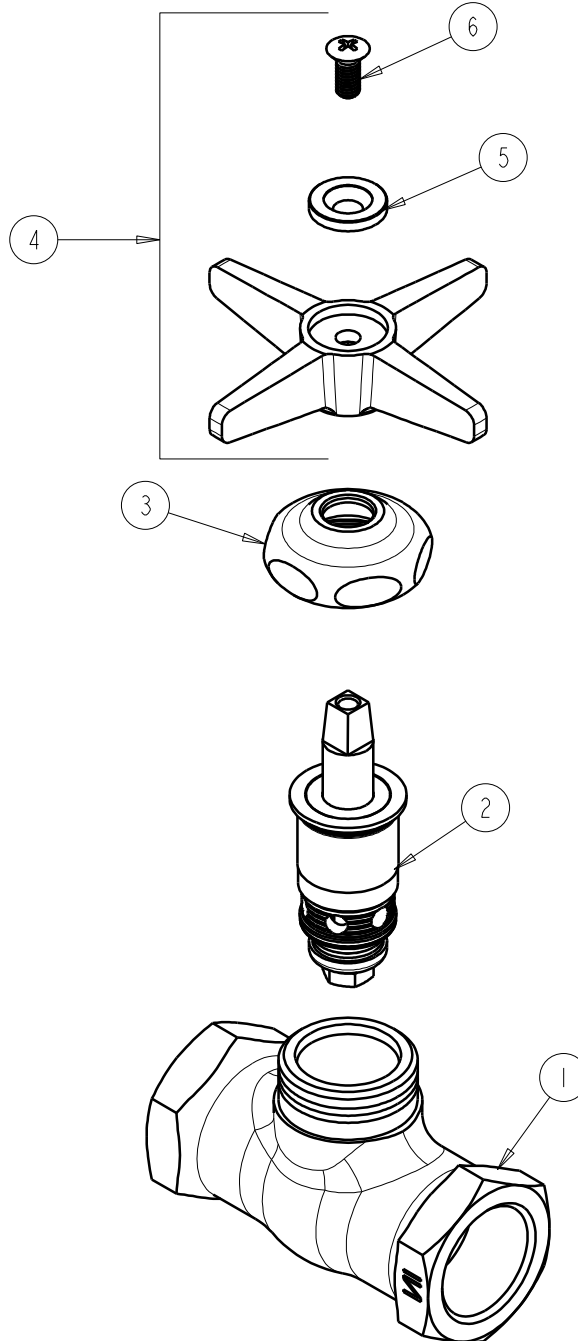
FITTING NO.

**375-CP**

SUBMITTED MODEL NO.

ITEM NO.

**FOR TECHNICAL ASSISTANCE**  
1-800-TEC-TRUE (1-800-832-8783)



ITEM	PART NO.	DESCRIPTION
1	---	VALVE BODY NOT SOLD SEPARATELY
2	217-XTLHJKNF	CARTRIDGE, SLO-COMPRESSION
3	1-214JKCP	CAP
4	633-PLJKCP	4-ARM CROSS HANDLE
5	633-223JKNF	INDEX BUTTON (WHITE)
6	420-010JKRCF	SCREW, 10-32 UNC PH 1/2