

CHICAGO FAUCETS 

a Geberit company

2100 South Clearwater Drive
Des Plaines, IL 60018
Phone: 847-803-5000
Fax: 847-803-5454
www.chicagofaucets.com

REPAIR PARTS

BY: JAR DATE: 10-19-11

CHK:  REV:

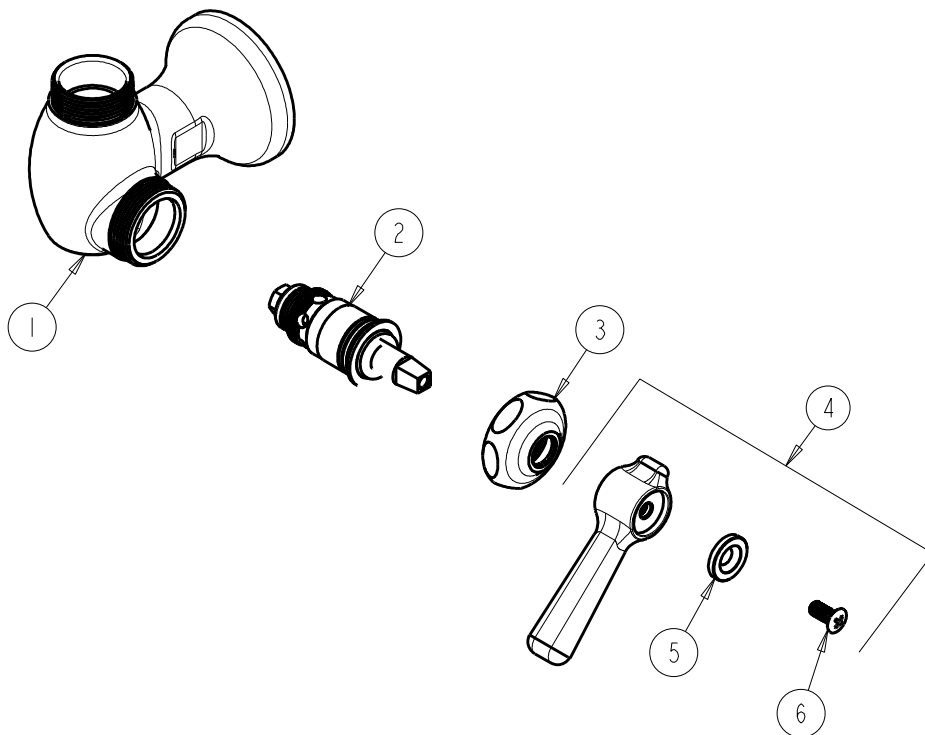
FITTING NO.

332-LESSSPTABCP

SUBMITTED MODEL NO.

ITEM NO.

FOR TECHNICAL ASSISTANCE
1-800-TEC-TRUE (1-800-832-8783)



| ITEM | PART NO. | DESCRIPTION |
|------|---------------|----------------------------------|
| 1 | — | VALVE BODY (NOT SOLD SEPARATELY) |
| 2 | 1-099XTJKABNF | QUATURN CARTRIDGE (RH) |
| 3 | 1-214JKCP | CAP |
| 4 | 369-COLDJKCP | LEVER HANDLE ASSEMBLY |
| 5 | 633-123JKNF | INDEX BUTTON (BLUE) |
| 6 | 420-010JKRCF | SCREW, 10-32 UNC PH 1/2 |