

CHICAGO FAUCETS
a Geberit company

2100 South Clearwater Drive
Des Plaines, IL 60018
Phone: 847-803-5000
Fax: 847-803-5454
www.chicagofaucets.com

REPAIR PARTS

FITTING NO.

201-AGN10AE3SWG319CP

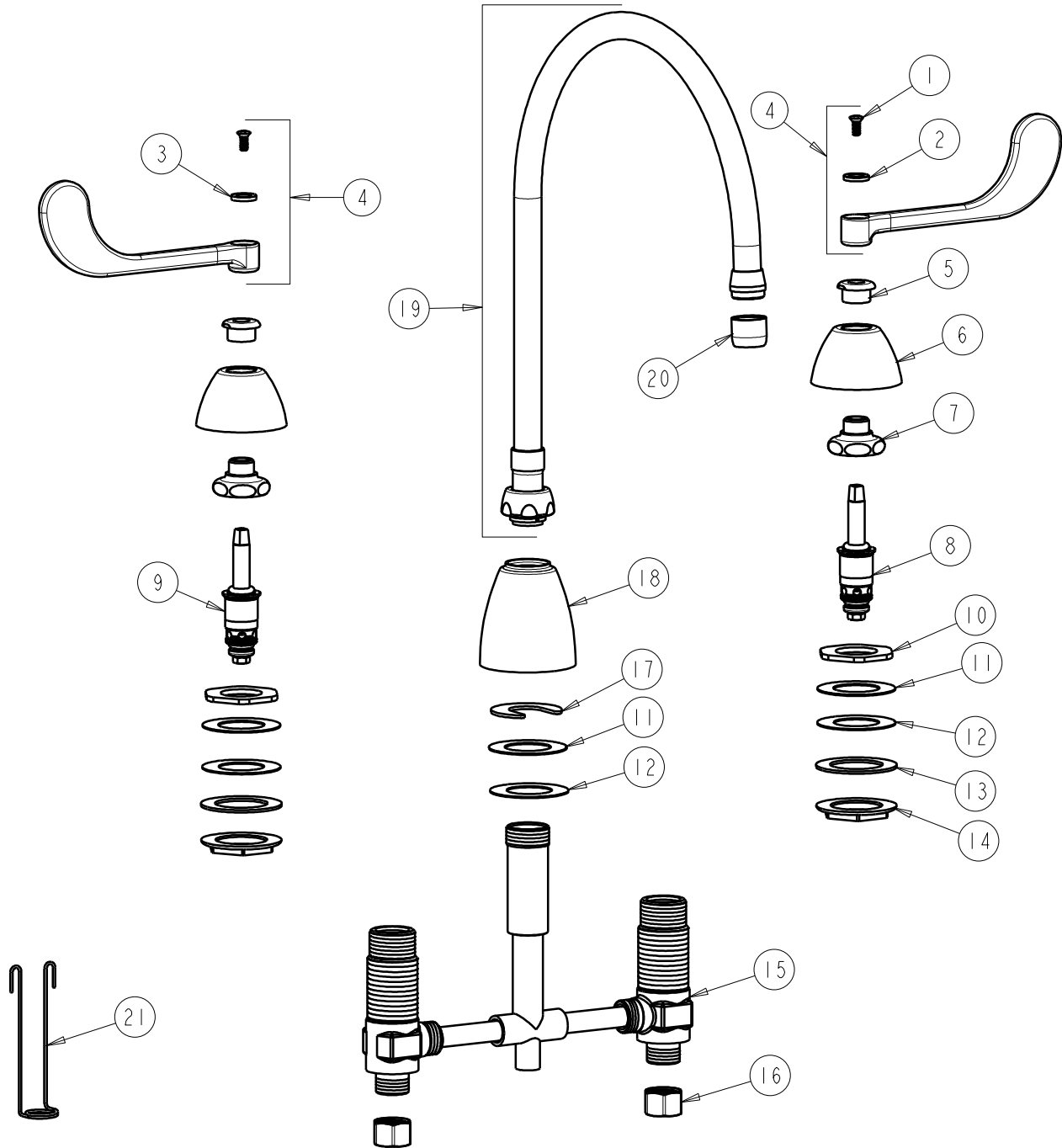
SUBMITTED MODEL NO.

ITEM NO.

BY: SID DATE: 06-12-09

CHK: *[Signature]* REV:

FOR TECHNICAL ASSISTANCE
1-800-TEC-TRUE (1-800-832-8783)



ITEM	PART NO.	DESCRIPTION	ITEM	PART NO.	DESCRIPTION
1	420-010JKRCF	SCREW, 10-32 UNC PH 1/2	12	739-056JKNF	RUBBER WASHER
2	633-123JKNF	INDEX BUTTON (BLUE)	13	55-010JKNF	STEEL WASHER
3	633-023JKNF	INDEX BUTTON (RED)	14	250-004JKRBF	LOCKNUT
4	319-PRJKCP	WRISTBLADE HANDLE (PAIR)	15	—	VALVE BODY (NOT SOLD SEPARATELY)
5	422-113JKCP	ESCUTCHEON NUT	16	49-005JKRBF	COUPLING NUT
6	250-080JKCP	ESCUTCHEON	17	200-006JKNF	C-WASHER
7	274-004JKRBF	CAP NUT	18	890-259JKCP	SPOUT ESCUTCHEON
8	377-XTRHJKNF	RH QUATURN CARTRIDGE	19	GN10AE3SWGJKCP	FOR PARTS SEE GN10AE3SWGJKCP
9	377-XTLHJKNF	LH QUATURN CARTRIDGE	20	E3JKCP	SOFTFLO AERATOR OUTLET
10	308-003JKRBF	LOCKNUT	21	200-007JKNF	HANGER
11	888-006JKRBF	BRASS WASHER			