

CHICAGO FAUCETS
a Geberit company

2100 South Clearwater Drive
Des Plaines, IL 60018
Phone: 847-803-5000
Fax: 847-803-5454
www.chicagofaucets.com

REPAIR PARTS

FITTING NO.

201-AE35-317XKABCP

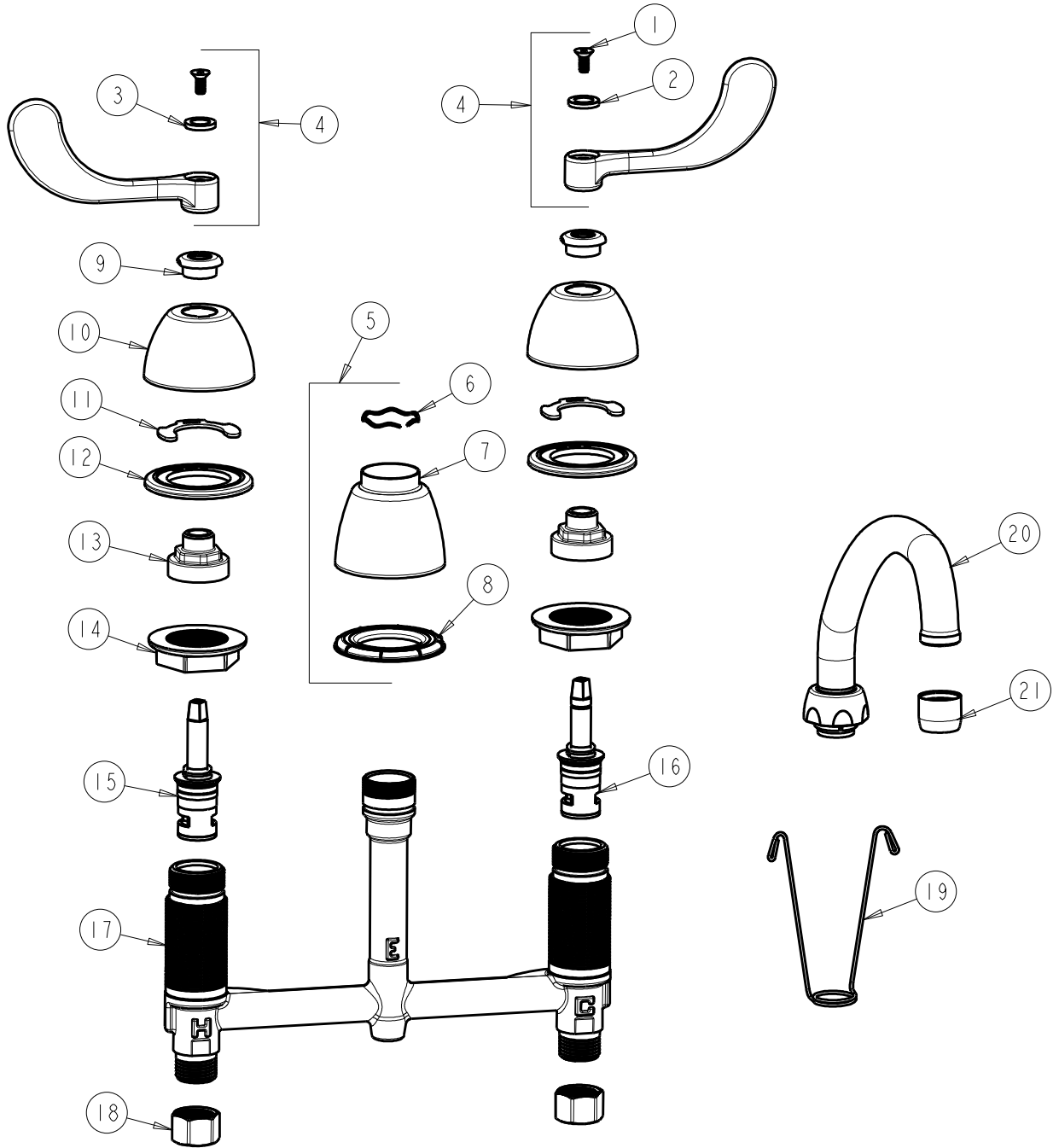
SUBMITTED MODEL NO.

BY: SID DATE: 01-10-17

CHK: *AR* REV:

ITEM NO.

FOR TECHNICAL ASSISTANCE
1-800-TEC-TRUE (1-800-832-8783)



| ITEM | PART NO. | DESCRIPTION | ITEM | PART NO. | DESCRIPTION |
|------|--------------|--------------------------------|------|----------------|--------------------------|
| 1 | 420-020JKNF | SCREW, 1/8 FLAT HEX HEAD X 1/2 | 12 | 888-026JKNF | WASHER, SEALING |
| 2 | 633-123JKNF | INDEX BUTTON (BLUE) | 13 | 274-014JKRBF | NUT, CAP |
| 3 | 633-023JKNF | INDEX BUTTON (RED) | 14 | 250-004JKNF | LOCKNUT |
| 4 | 317-PRJKCP | HANDLE, 4" WRISTBLADE (PAIR) | 15 | 377-XKLHJKABNF | LH CERAMIC CARTRIDGE 1/4 |
| 5 | 785-400JKKCP | KIT, SPOUT ESCUTCHEON | 16 | 377-XKRHJKABNF | RH CERAMIC CARTRIDGE 1/4 |
| 6 | 50-038JKNF | WAVE WASHER | 17 | ----- | BODY, VALVE |
| 7 | 785-400JKCP | ESCUTCHEON, SPOUT BASE | 18 | 49-005JKRBF | COUPLING NUT |
| 8 | 888-027JKNF | SPOUT ESCUTCHEON WASHER | 19 | 200-008JKNF | HANGER |
| 9 | 422-113JKCP | ESCUTCHEON NUT | 20 | L9LEOJKAB | SPOUT, 9-1/2 C-C |
| 10 | 250-082JKCP | ESCUTCHEON | 21 | E35JKABCP | OUTLET, AERATOR 1.5 GPM |
| 11 | 200-009JKNF | CLIP, RETAIN | | | |