

PARTS LIST

BY:

SID



FINISH:

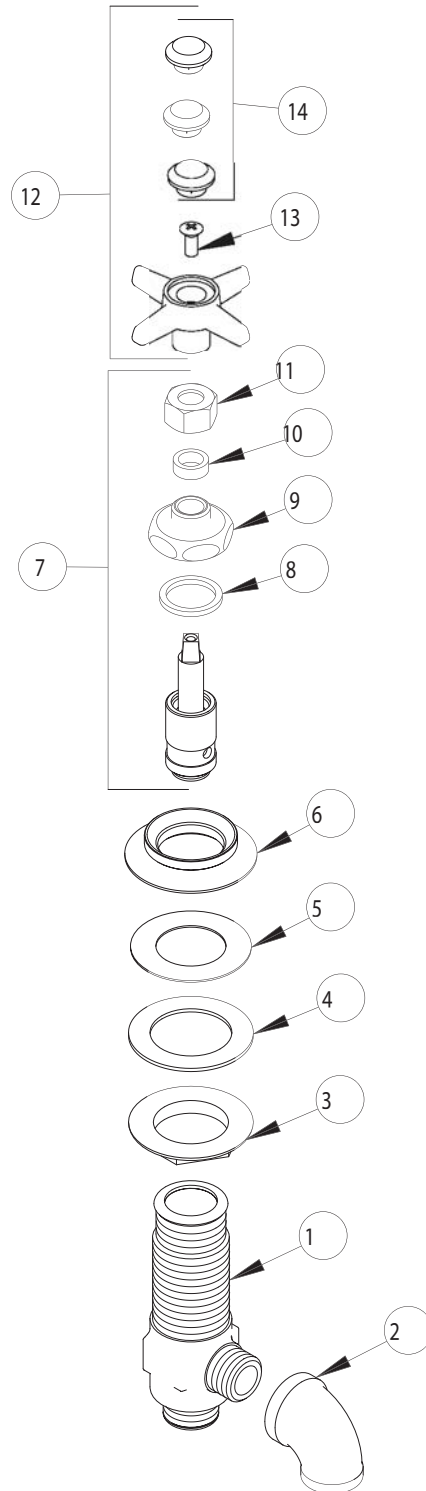
AS SPECIFIED

CHK'D:

DATE:

02-18-02

1322-AGV



ITEM NO.	PART NO.	DESCRIPTION	ITEM NO.	PART NO.	DESCRIPTION
1	-----	VALVE BODY NOT SOLD SEPARATELY	8	1-043	GASKET
2	1320-005	ELBOW	9	937-018	CAP NUT
3	250-004	LOCKNUT	10	244-217	PACKING
4	55-010	STEEL WASHER	11	937-010	NUT
5	739-056	RUBBER WASHER	12	204-AGV	HANDLE ASSEMBLY
6	1797-122	FLANGE	13	420-010	SCREW
7	962X	NEEDLE VALVE UNIT	14	216-PP	PRE-PACK AIR, GAS, VAC