

REPAIR PARTS

BY: SID DATE: 03-11-11
CHK: *AR* REV: 08-16-16

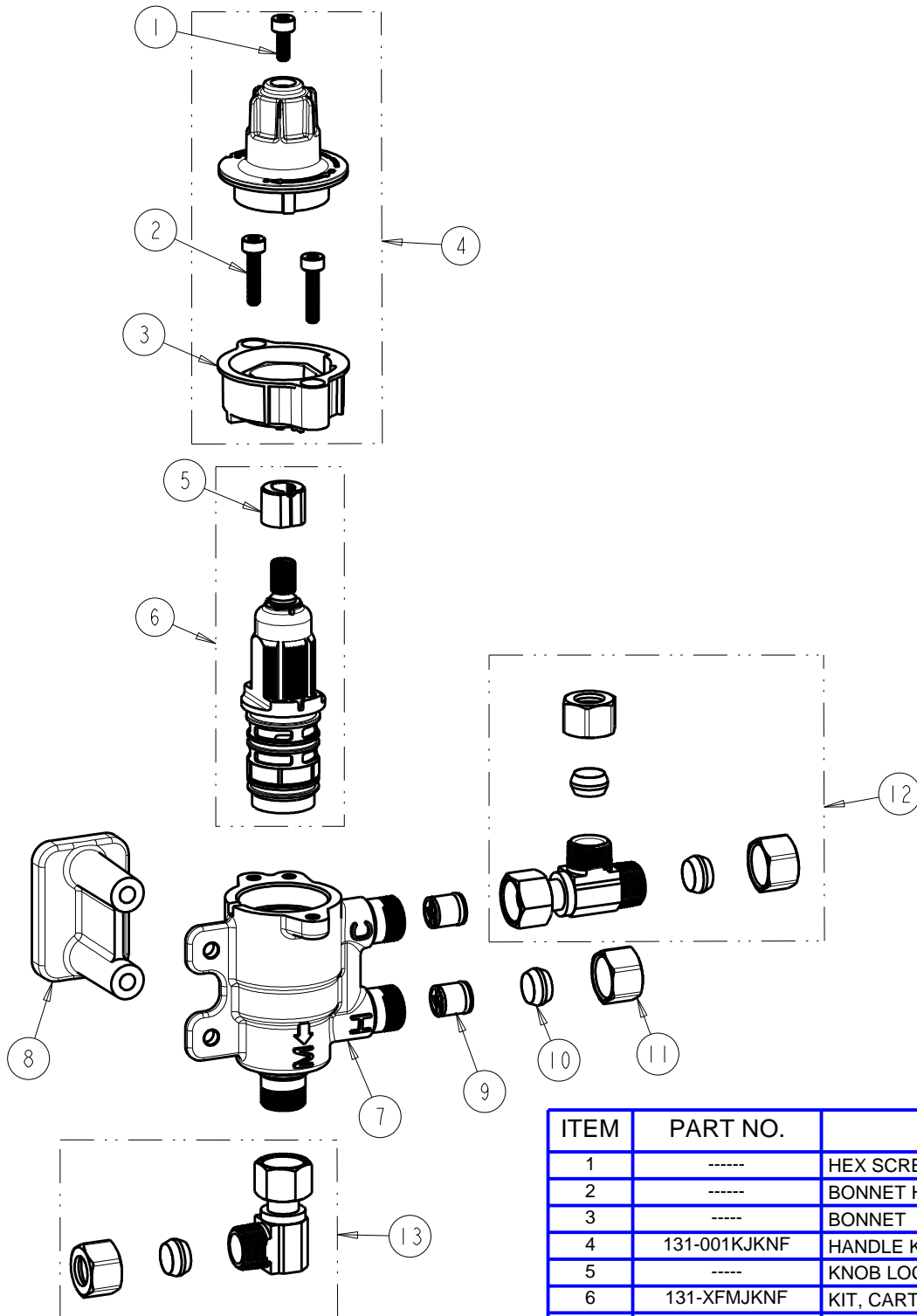
FITTING NO.

131-CABRCF

SUBMITTED MODEL NO.

ITEM NO.

FOR TECHNICAL ASSISTANCE
1-800-TEC-TRUE (1-800-832-8783)



ITEM	PART NO.	DESCRIPTION
1	-----	HEX SCREW, M4x0.7x10mm
2	-----	BONNET HEX SCREW, M4x0.7x16mm
3	-----	BONNET
4	131-001KJKNF	HANDLE KIT
5	-----	KNOB LOCATOR
6	131-XFMJKNF	KIT, CARTRIDGE & KNOB LOCATOR
7	-----	VALVE BODY
8	-----	SPACER
9	550-009JKABNF	CHECK CARTRIDGE ASSEMBLY
10	-----	FERRULE, 3/8 TUBE
11	-----	COMPRESSION NUT, 3/8 TUBE
12	131-006KJKRCF	T BYPASS CONNECTOR, 3/8 COMP
13	131-007KJKRCF	L BYPASS CONNECTOR, 3/8 COMP