

CHICAGO FAUCETS
a Geberit company

2100 South Clearwater Drive
Des Plaines, IL 60018
Phone: 847-803-5000
Fax: 847-803-5454
www.chicagofaucets.com

REPAIR PARTS

FITTING NO.

1100-GN2FC317CP

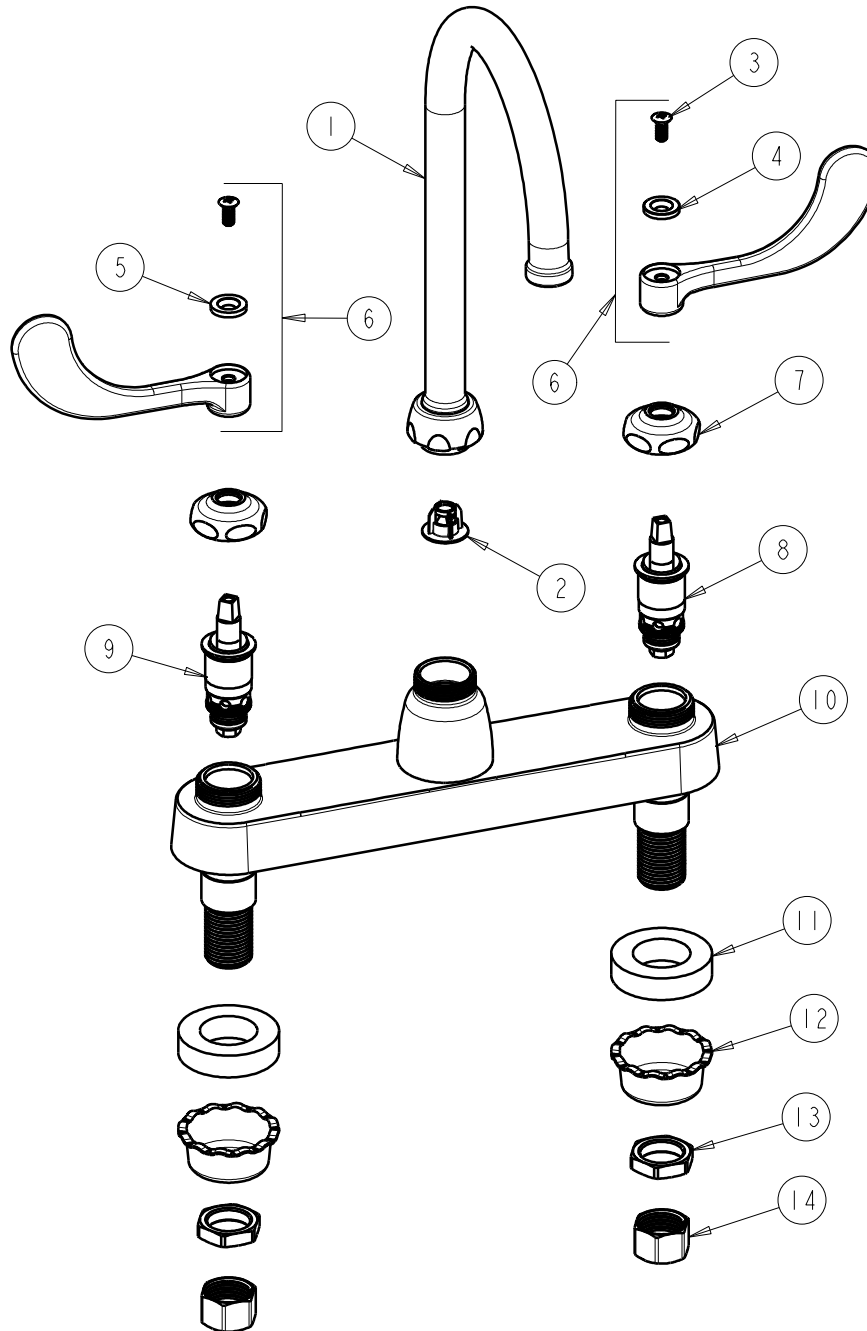
SUBMITTED MODEL NO.

ITEM NO.

FOR TECHNICAL ASSISTANCE
1-800-TEC-TRUE (1-800-832-8783)

BY: SID DATE: 03-03-09

CHK: *[Signature]* REV: 01-29-10



ITEM	PART NO.	DESCRIPTION	ITEM	PART NO.	DESCRIPTION
1	GN2JKCP	GN SPOUT PLAIN END	8	1-099XTJKNF	QUATURN UNIT (RH)
2	50-043KJKNF	FLOW CONTROL 1.5 GPM	9	1-100XTJKNF	QUATURN UNIT (LH)
3	420-010JKRCF	SCREW, 10-32 UNC PH 1/2	10	—	VALVE BODY (NOT SOLD SEPARATELY)
4	633-123JKNF	INDEX BUTTON (BLUE)	11	555-313JKNF	WASHER
5	633-023JKNF	INDEX BUTTON (RED)	12	1797-114JKNF	BASIN COCK WASHER
6	317-PRJKCP	HANDLE, 4" WRISTBLADE (PAIR)	13	49-004JKRBF	LOCKNUT
7	1-214JKCP	CAP	14	49-005JKRBF	COUPLING NUT