

CHICAGO FAUCETS
a Geberit company

2100 South Clearwater Drive
Des Plaines, IL 60018
Phone: 847-803-5000
Fax: 847-803-5454
www.chicagofaucets.com

REPAIR PARTS

FITTING NO.

1100-GN2AE3XKCP

SUBMITTED MODEL NO.

BY: SID

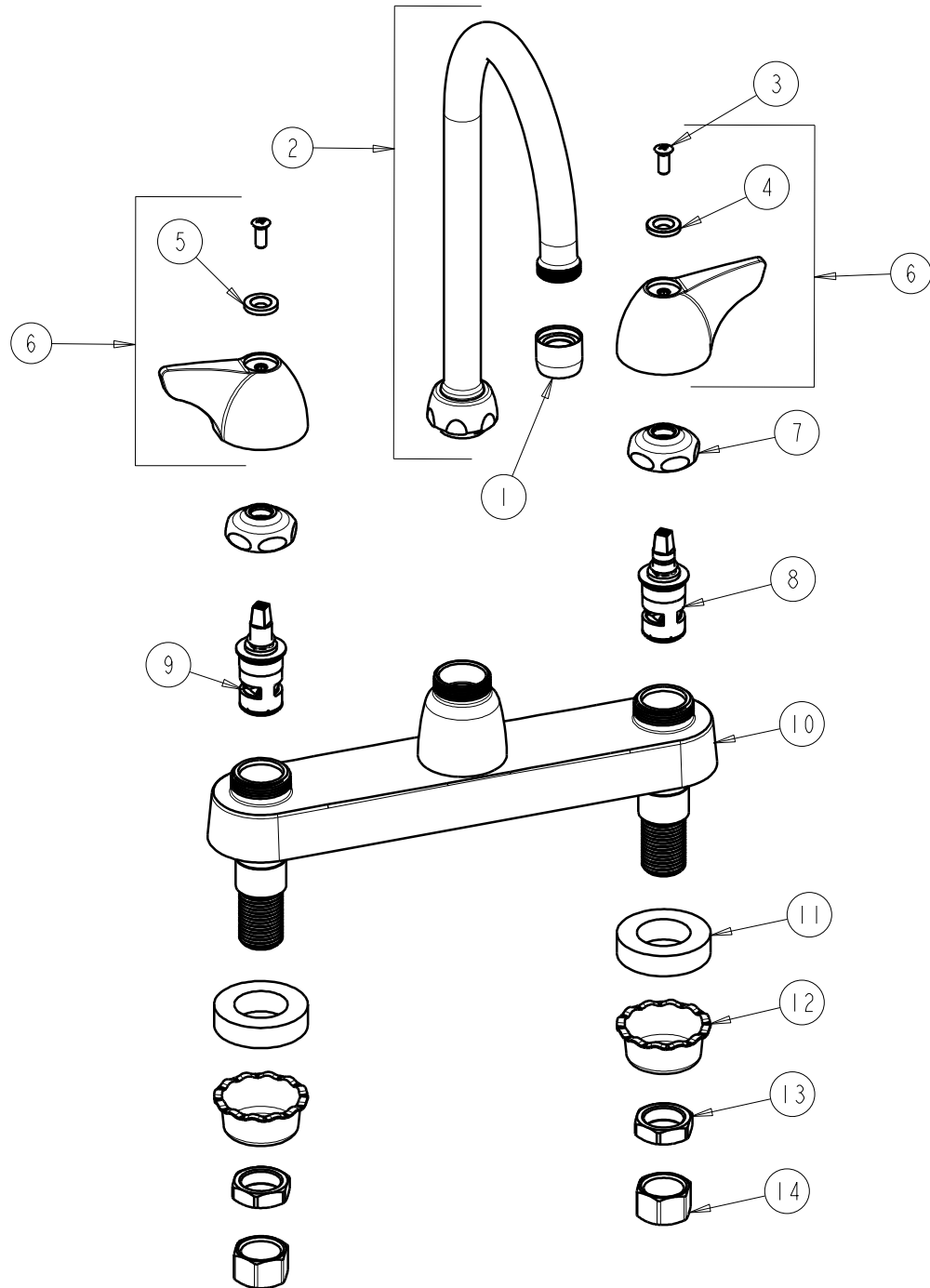
DATE: 02-27-09

CHK: *[Signature]*

REV:

ITEM NO.

FOR TECHNICAL ASSISTANCE
1-800-TEC-TRUE (1-800-832-8783)



ITEM	PART NO.	DESCRIPTION	ITEM	PART NO.	DESCRIPTION
1	E3JKCP	SOFTFLO AERATOR OUTLET	8	1-099XKJKNF	RH CERAMIC QUATURN UNIT
2	GN2AE3JKCP	FOR PARTS SEE GN2AE3JKCP	9	1-100XKJKNF	LH CERAMIC QUATURN UNIT
3	420-010JKRCF	SCREW, 10-32 UNC PH 1/2	10	—	VALVE BODY (NOT SOLD SEPARATELY)
4	633-123JKNF	INDEX BUTTON (BLUE)	11	555-313JKNF	WASHER
5	633-023JKNF	INDEX BUTTON (RED)	12	1797-114JKNF	BASIN COCK WASHER
6	1000-PRJKCP	WING HANDLE ASSEMBLY (PAIR)	13	49-004JKRBF	LOCKNUT
7	1-214JKCP	CAP	14	49-005JKRBF	COUPLING NUT