

**CHICAGO
FAUCETS**[®]

a Geberit company

2100 South Clearwater Drive
Des Plaines, IL 60018
Phone: 847-803-5000
Fax: 847-803-5454
www.chicagofaucets.com

FOR TECHNICAL ASSISTANCE
1-800-TEC-TRUE (1-800-832-8783)

ROUGH-IN

FITTING NO.

520-001KJKABRBF

SUBMITTED MODEL NO.

BY: SID

DATE: 03-19-13

CHK: 

REV:

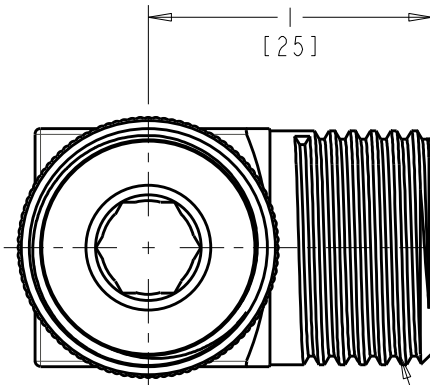
SUBMITTED AS SHOWN

SUBMITTED AS NOTED

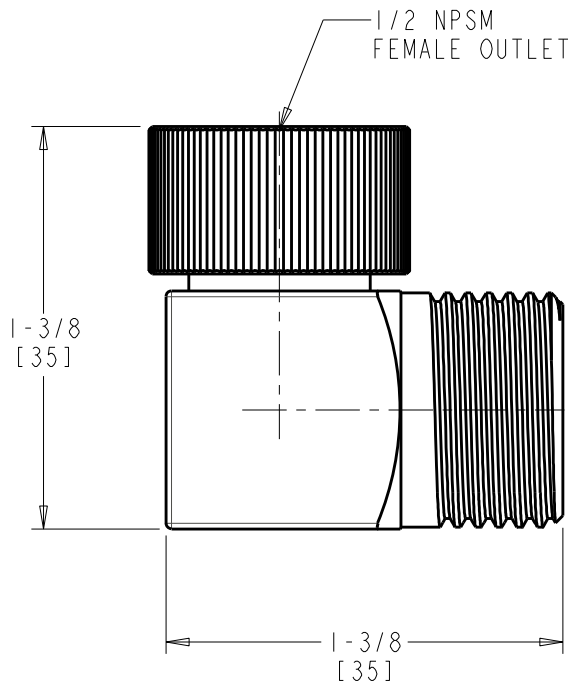
SEE ATTACHED FOR
SUBMITTED MODIFICATION

JOB NAME

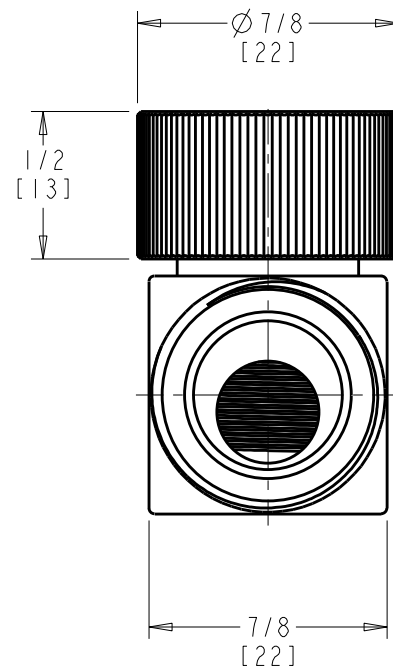
ITEM NO.



1/2 NPSM
MALE INLET



1/2 NPSM
FEMALE OUTLET



DIMENSIONS ARE IN INCHES AND [MILLIMETERS].

TECHNICAL DATA

- ELBOW KIT, LOW PROFILE 90 DEGREE 1/2 NPSM X 1/2 NPSM

ROUGHING IN DIMENSIONS MAY VARY AND ARE SUBJECT TO CHANGE. NO RESPONSIBILITY IS ASSUMED FOR USE OF SUPERCEDED OR VOIDED DATA.