



a Geberit company

2100 South Clearwater Drive  
Des Plaines, IL 60018  
Phone: 847-803-5000  
Fax: 847-803-5454  
www.chicagofaucets.com

# REPAIR PARTS

BY: JAR DATE: 10-22-13  
CHK: *JAR* REV: 11-18-16

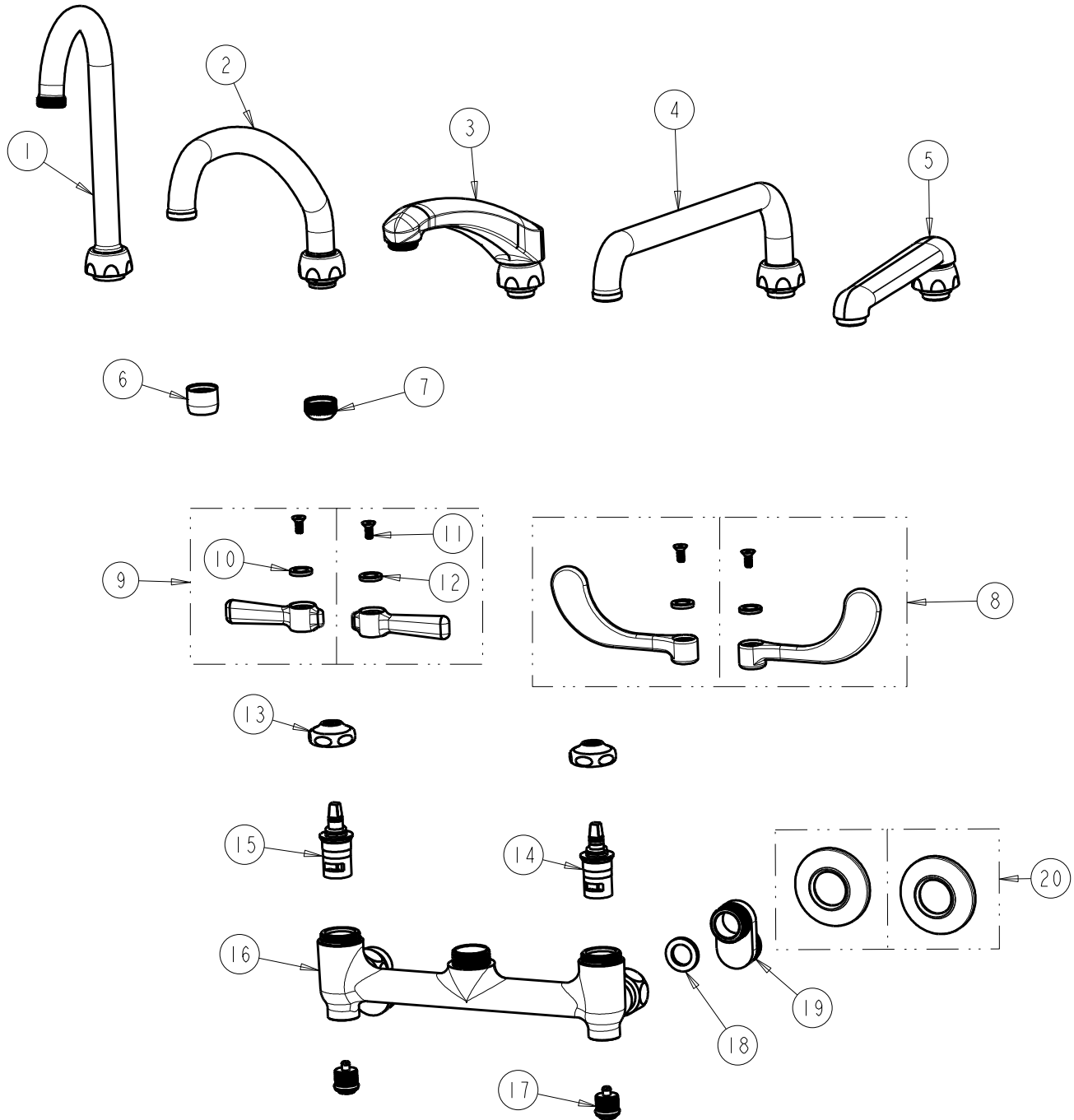
FITTING NO.

640-SERIES

SUBMITTED MODEL NO.

ITEM NO.

**FOR TECHNICAL ASSISTANCE**  
1-800-TEC-TRUE (1-800-832-8783)



| ITEM | PART NO.    | DESCRIPTION                  | ITEM | PART NO.      | DESCRIPTION                    |
|------|-------------|------------------------------|------|---------------|--------------------------------|
| 1    | GN1AJKABCP  | SPOUT, GN SPOUT 3-1/2" C-C   | 11   | 420-020JKNF   | SCREW, 1/8 FLAT HEX HEAD X 1/2 |
| 2    | L9LEQJAB    | SPOUT, 9-1/2 C-C             | 12   | 633-123JKNF   | INDEX BUTTON (BLUE)            |
| 3    | L8LEQJAB    | SPOUT, CAST 8" C-C           | 13   | 1-214JKCP     | CAP                            |
| 4    | L12LEQJAB   | SPOUT, 12" C-C               | 14   | 1-099XKJKABNF | RH CERAMIC CARTRIDGE           |
| 5    | S6LEQJAB    | SPOUT, CAST 6" C-C           | 15   | 1-100XKJKABNF | LH CERAMIC CARTRIDGE           |
| 6    | E35JKABCP   | OUTLET, AERATOR 1.5 GPM      | 16   | -----         | 8" VALVE BODY ASSY             |
| 7    | E1JKABRCF   | OUTLET, QUIXTOP              | 17   | 640-003JKNF   | KIT, STOP                      |
| 8    | 317-PRJKCP  | HANDLE, 4" WRISTBLADE (PAIR) | 18   | 1-011JKABNF   | RUBBER WASHER                  |
| 9    | 369-PRJKCP  | HANDLE, 2-3/8" LEVER (PAIR)  | 19   | -----         | ARM (NOT SOLD SEPERATELY)      |
| 10   | 633-023JKNF | INDEX BUTTON (RED)           | 20   | 640-001JKCP   | KIT, FLANGE (2)                |