

**CHICAGO FAUCETS**  
a Geberit company

2100 South Clearwater Drive  
Des Plaines, IL 60018  
Phone: 847-803-5000  
Fax: 847-803-5454  
www.chicagofaucets.com

**REPAIR PARTS**

FITTING NO.

**445-L12ABCP**

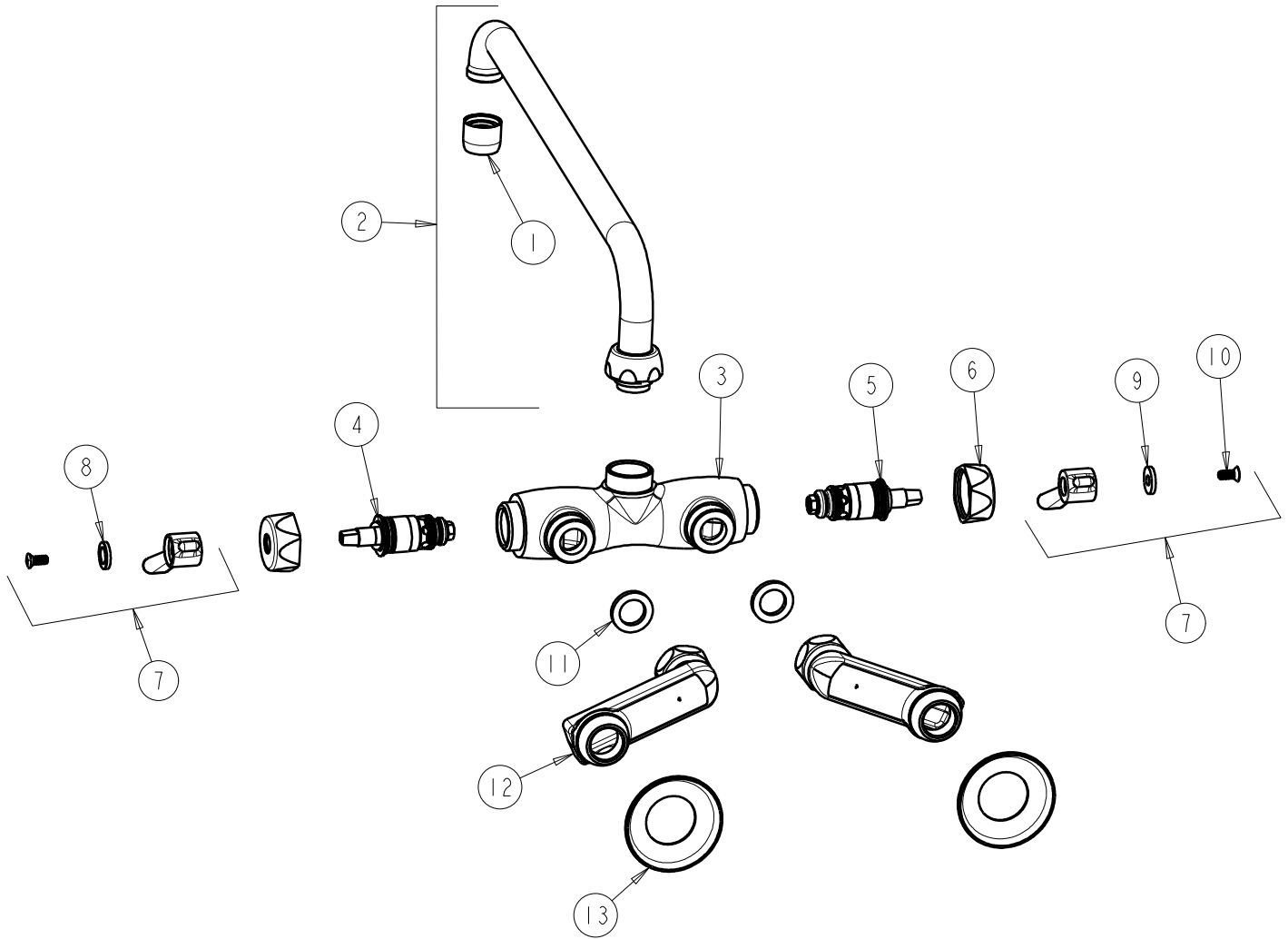
SUBMITTED MODEL NO.

ITEM NO.

BY: SID DATE: 05-12-09

CHK: *[Signature]* REV: 09-10-10

**FOR TECHNICAL ASSISTANCE**  
1-800-TEC-TRUE (1-800-832-8783)



ITEM	PART NO.	DESCRIPTION	ITEM	PART NO.	DESCRIPTION
1	E3JKCP	SOFTFLO AERATOR OUTLET	8	633-123JKNF	INDEX BUTTON (BLUE)
2	L12JKCP	FOR PARTS SEE L12JKCP	9	633-023JKNF	INDEX BUTTON (RED)
3	---	VALVE BODY (NOT SOLD SEPARATELY)	10	420-010JKRCF	SCREW, 10-32 UNC PH 1/2
4	1-099XTJKABNF	QUATURN UNIT (RH)	11	1-011JKNF	WASHER, .97 X .62 X .12
5	1-100XTJKABNF	QUATURN UNIT (LH)	12	---	'H' ARM ASSEMBLY w/WASHER
6	444-005JKCP	CAP	13	1-055JKCP	FLANGE
7	369-PRJKCP	LEVER HANDLE ASSEMBLY (PAIR)			