



a Geberit company

2100 South Clearwater Drive  
Des Plaines, IL 60018  
Phone: 847-803-5000  
Fax: 847-803-5454  
www.chicagofaucets.com

**FOR TECHNICAL ASSISTANCE**  
1-800-TEC-TRUE (1-800-832-8783)

# REPAIR PARTS

BY: SID DATE: 02-23-17

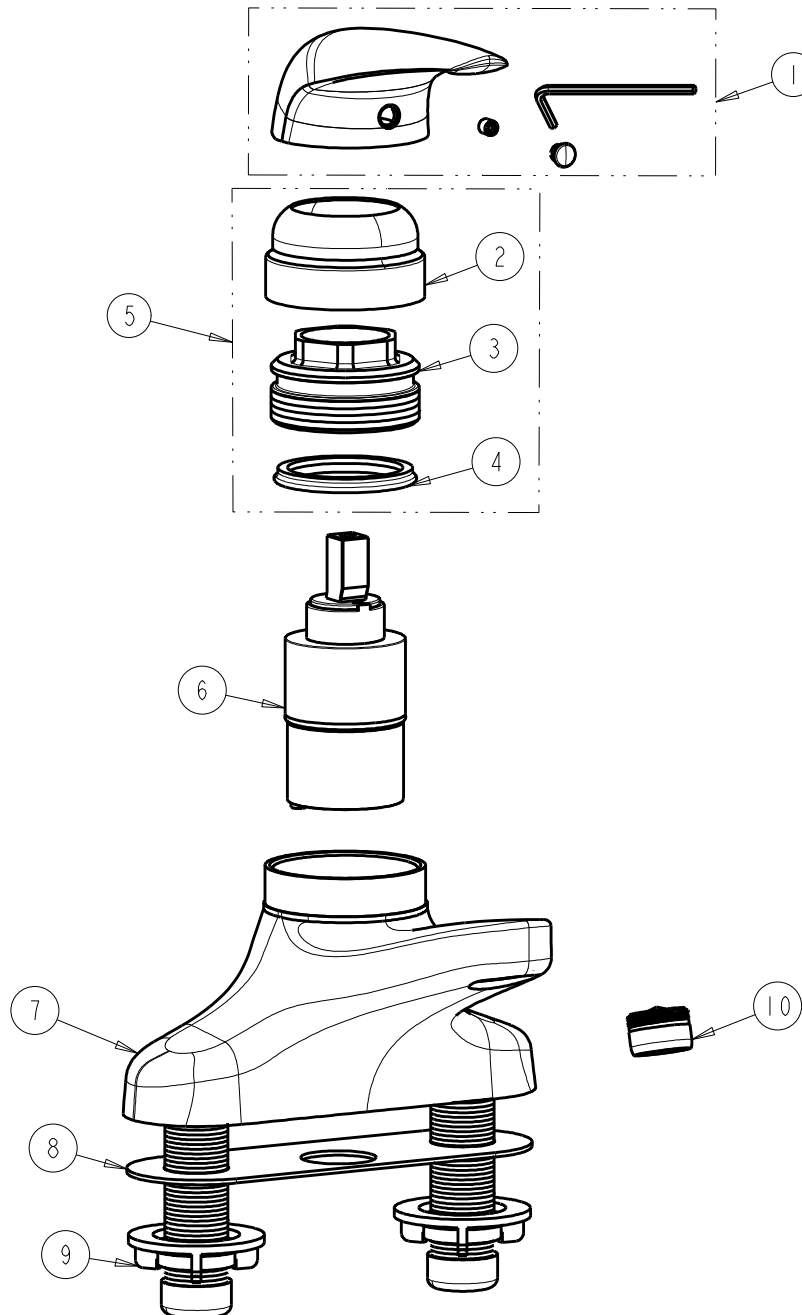
CHK: *AR* REV:

FITTING NO.

420-T45E74ABCP

SUBMITTED MODEL NO.

ITEM NO.



ITEM	PART NO.	DESCRIPTION	ITEM	PART NO.	DESCRIPTION
1	420-030JKCP	HANDLE ASSEMBLY KIT	6	420-X45KJKABNF	CERAMIC-THERMOSTATIC CARTRIDGE
2	-----	COVER	7	-----	BODY
3	-----	RETAINER	8	-----	GASKET
4	-----	U-WASHER	9	-----	LOCKNUT
5	420-031KJKCP	SINGLE LEVER COVER KIT	10	E74JKABCP	OUTLET, LAMINAR 1.0 GPM