



a Geberit company

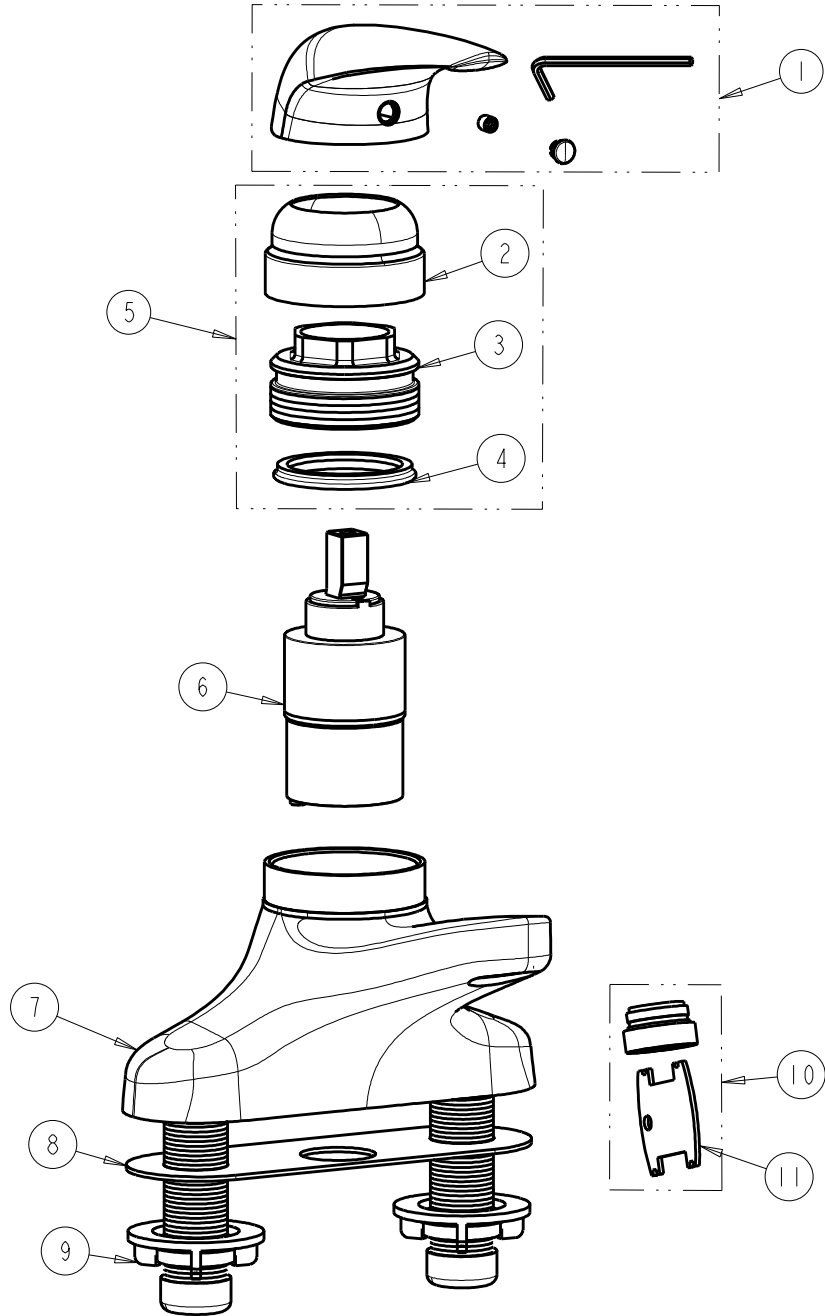
2100 South Clearwater Drive
Des Plaines, IL 60018
Phone: 847-803-5000
Fax: 847-803-5454
www.chicagofaucets.com

FOR TECHNICAL ASSISTANCE
1-800-TEC-TRUE (1-800-832-8783)

REPAIR PARTS

BY: SID DATE: 02-23-17
CHK: *AK* REV:

FITTING NO.	420-T45E39VPABCP
SUBMITTED MODEL NO.	
ITEM NO.	



ITEM	PART NO.	DESCRIPTION	ITEM	PART NO.	DESCRIPTION
1	420-030KJKCP	HANDLE ASSEMBLY KIT	7	-----	BODY
2	-----	COVER	8	-----	GASKET
3	-----	RETAINER	9	-----	LOCKNUT
4	-----	U-WASHER	10	E39VPJKABCP	OUTLET, VP SPRAY w/KEY 0.35 GPM
5	420-031KJKCP	SINGLE LEVER COVER KIT	11	3-024JKRCF	KEY, VP
6	420-X45KJKABNF	CERAMIC-THERMOSTATIC CARTRIDGE			