

INSTALLATION INSTRUCTIONS FOR THE CHICAGO FAUCET COMPANY 892-1/2" and 893-3/8" VACUUM BREAKERS

PURPOSE:

THIS ANGLE TYPE VALVE IS DESIGNED TO PREVENT BACK-SIPHONAGE OF CONTAMINATED WATER INTO A RELIABLE WATER SUPPLY. THIS TYPE IS NOT RECOMMENDED FOR USE UNDER CONTINUOUS PRESSURE AND DESIGNED TO PROVIDE BACKFLOW PROTECTION DUE TO BACK PRESSURE, EVEN THOUGH A CHECK VALVE MAY BE PRESENT.

APPLICATIONS:

THE 892 AND 893 ATMOSPHERIC VACUUM BREAKERS SHOULD BE INSTALLED ON EVERY OUTLET WHERE A HOSE CAN BE ATTACHED. MAXIMUM TEMPERATURE IS 212°F AT 125 lbs. WORKING PRESSURE. AS COLD WATER DEVICE APPLICATION RANGE 33°F up to 110°F AND AS HOT WATER DEVICE ABOVE 110° F.

INSTALLATION:

ATMOSPHERIC VACUUM BREAKERS MUST BE INSTALLED BETWEEN THE DISCHARGE SIDE OF THE CONTROL VALVE OF THE FIXTURE AND THE OUTLET. FOR PROPER OPERATION THERE MUST BE NO VALVE BETWEEN THE VACUUM BREAKER AND THE OUTLET. ATMOSPHERIC VACUUM BREAKERS SHOULD BE LOCATED NOT LESS THAN SIX INCHES ABOVE FLOOD RIM OR OVERFLOW. THE FITTING SHOULD BE LOCATED WHERE IT CAN BE INSPECTED AND SERVICED AND WHERE A MOMENTARY SPILL OF WATER FROM AIR INLET WILL NOT BE A PROBLEM.

STANDARDS:

TESTED AND CERTIFIED UNDER ASSE / ANSI STANDARD 1001 FOR PIPE APPLIED ATMOSPHERIC TYPE VACUUM BREAKERS. MEETS OR EXCEEDS C.S.A. STANDARD B64, ANSI A112.18.1, CSAB125, AND ASSE 1001 COMPLIANT.

ATMOSPHERIC VACUUM BREAKER FOR ANTI-SIPHONAGE

892-1/2" NPT

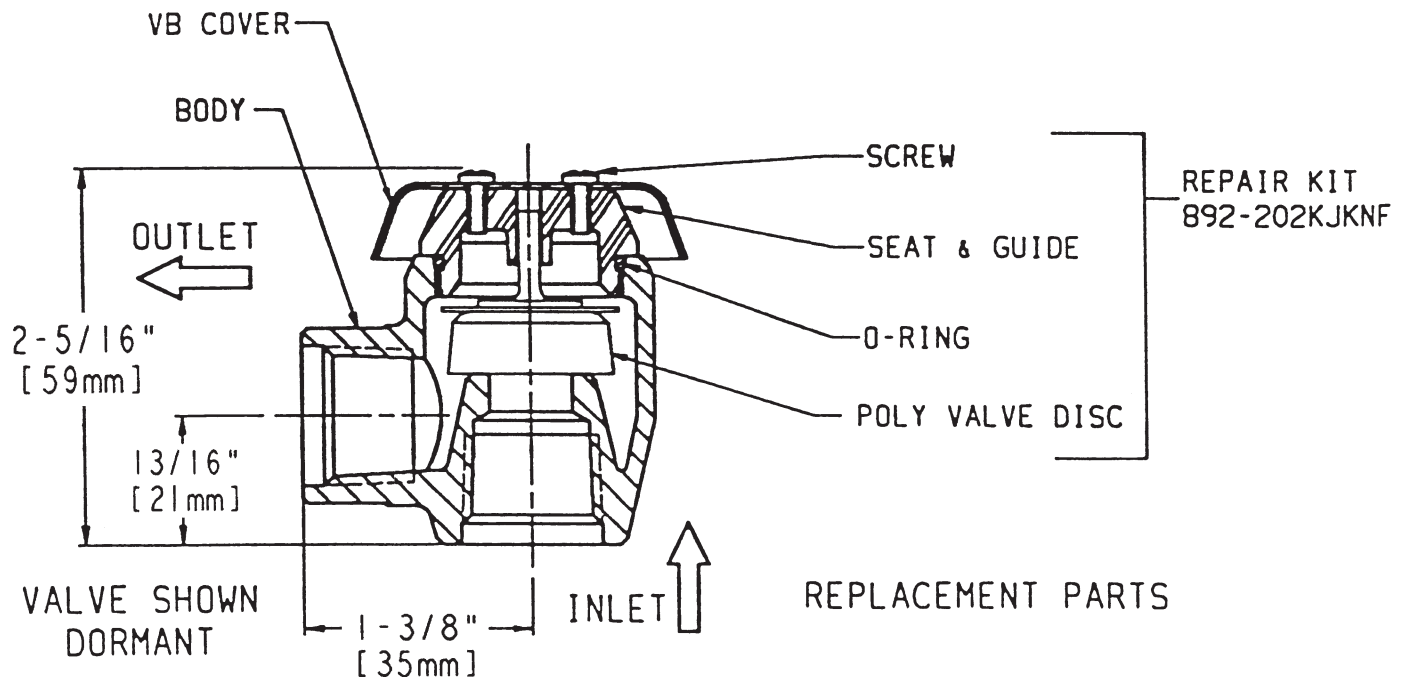
892 G-1/2" NPT

893-3/8" NPT

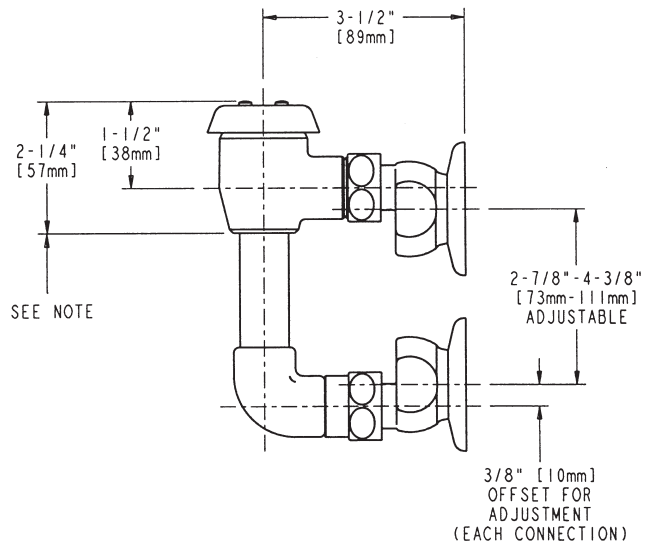
892-AD NPT

892 WXF-1/2" NPT

892-FD NPT

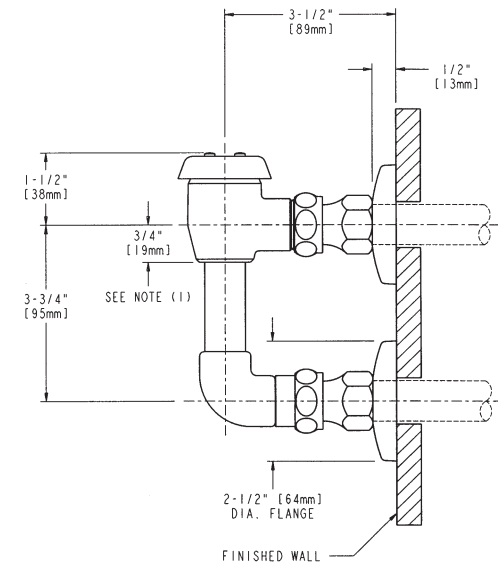


AVAILABLE IN CHROME PLATE WITH BODY POL-



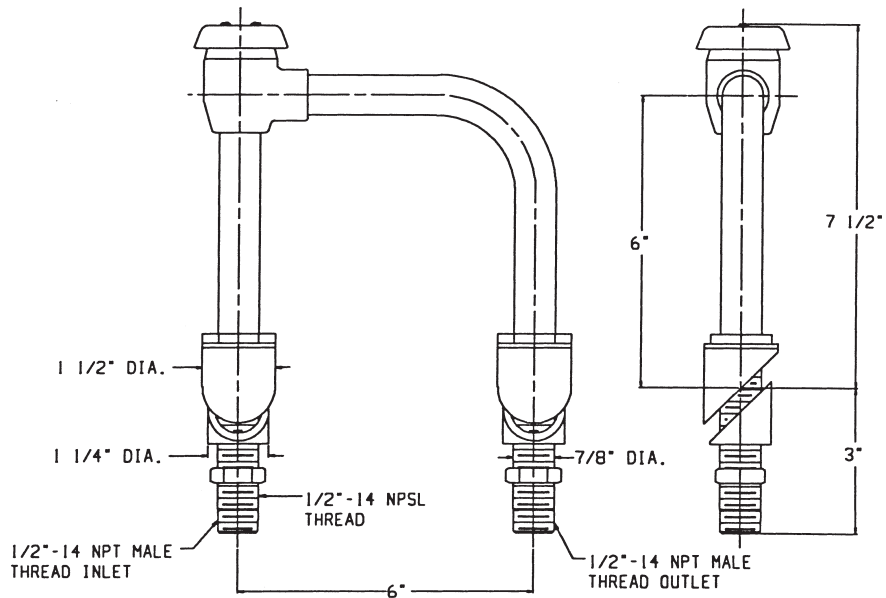
NOTE:
FOR PROPER HEIGHT OF INSTALLATION
SEE LOCAL PLUMBING CODE REQUIREMENTS

892-G

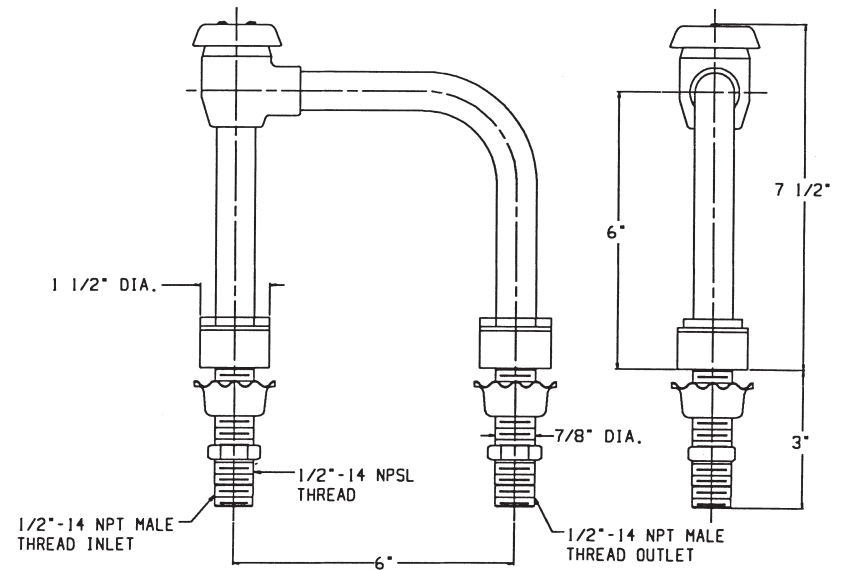


NOTE:
FOR PROPER HEIGHT OF INSTALLATION
SEE LOCAL PLUMBING CODE REQUIREMENTS

892-WXF



892-AD



892-FD