

ROUGHING IN DIMENSIONS MAY VARY AND ARE SUBJECT TO CHANGE. NO RESPONSIBILITY IS ASSUMED FOR USE OF SUPERCEDED OR VOIDED DATA. (0192-1)

# CHICAGO. FAUCETS

2100 SOUTH CLEARWATER DRIVE  
DES PLAINES, ILLINOIS 60018-5999

FITTING NO.

SS

SUBMITTED MODEL NO.

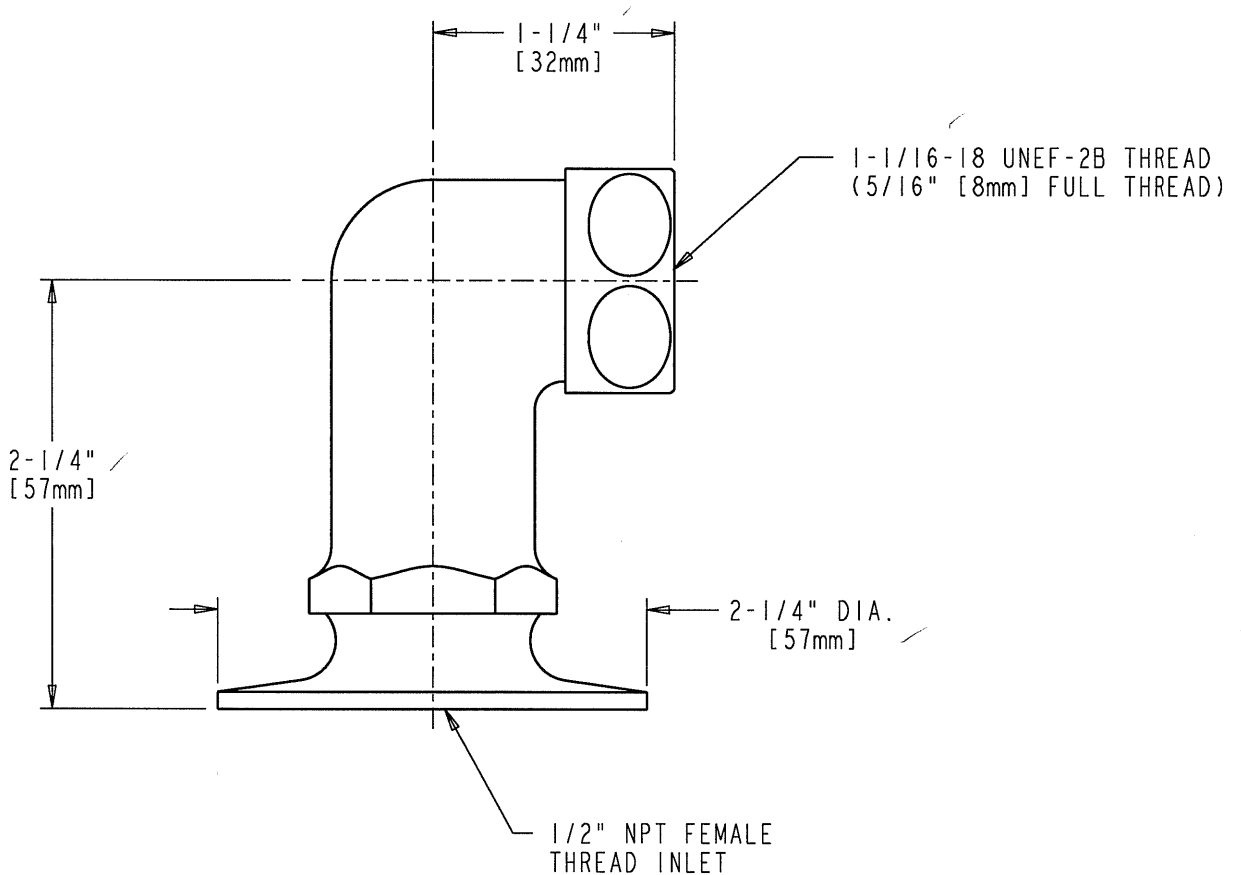
JOB NAME

ITEM NO.

SUBMITTED AS SHOWN

SUBMITTED AS NOTED

SEE ATTACHED FOR  
SUBMITTED MODIFICATION



DIMENSIONS IN INCHES AND [MILLIMETERS].

## TECHNICAL DATA

- TALL ANGLE SHANK INLET
- POLISHED CHROME FINISH

DATE: 03-27-98

BY: MGM

CHK'D: *[Signature]*

APP'D: *[Signature]*

REV:

SS