

900 Series Lab Fittings

987-909AGVCP

Product Type

Wall-mounted dual valve with Y-pattern wall flange

Features & Specifications

- Laboratory nozzle with 10 serrations for laboratory hose
- Complies with the requirements of the Buy American Act of 1933.
- CFNow! Item Ships in 3 Days



Performance Specification

- Rated Operating Pressure: by service (maximum): Acetylene (7.25 PSI); Ammonia (7.25 PSI); Argon (7.25 PSI); Butane (7.25 PSI); Carbon Dioxide (7.25 PSI); Carbon Monoxide (7.25 PSI); Helium (7.25 PSI); Hydrogen (7.25 PSI); Natural Gas (7.25 PSI); Methane (7.25 PSI); Nitrogen (7.25 PSI); Propane (7.25 PSI); Air (125 PSI); Compressed Air (125 PSI); Cold Water (125 PSI)

Warranty

- 5-Year Limited Faucet Warranty
- Lifetime Limited Faucet Warranty
- 1-Year Limited Finish Warranty
- 5-Year Limited Mechanical Warranty

Codes & Standards

-  ADA ANSI/ICC A117.1
-  ANSI Z21.15b/CSA 9.1b

Job Name _____

Item Number _____

Section/Tag _____

Model Specified _____

Architect _____

Engineer _____

Contractor _____

Submitted as Shown

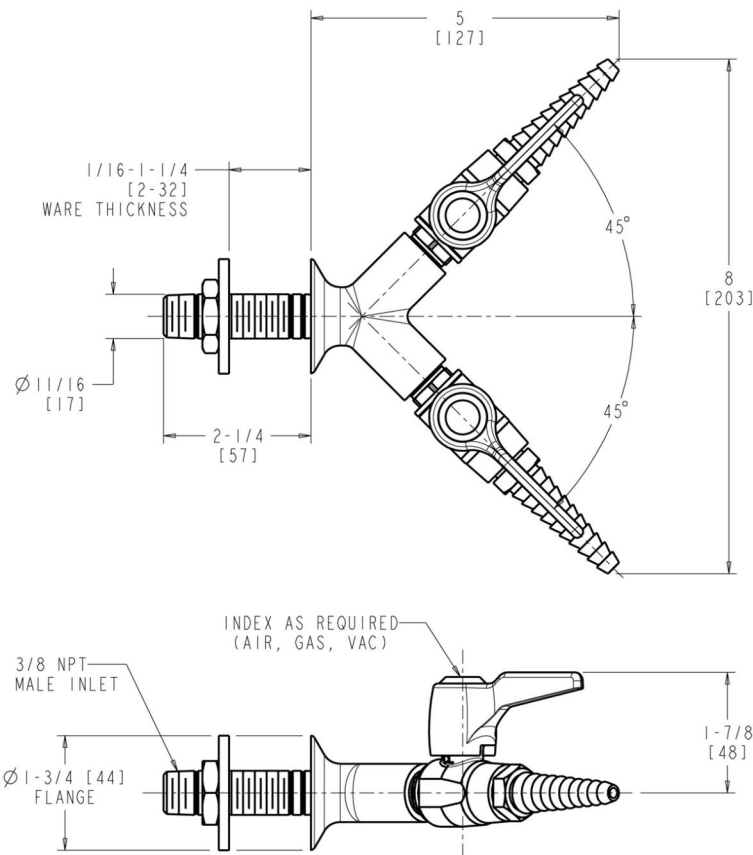
Submitted with Variations

Date _____



Architect/Engineer Specification

Chicago Faucets No. 987-909AGVCP, Dual Ball Valves with Y-pattern wall flange, panel-mounted, valves mounted at 90°. Chrome plated. Serrated, full-flow laboratory nozzle. Includes shank assembly. May be used with most laboratory gases. The 909 Valve meets ADA A117.1 requirements and is Certified for Gas Service per ANSI Z21.15/CSA 9.1 by the Canadian Standards Association.



Operation and Maintenance

Installation should be in accordance with local plumbing codes. Flush all pipes thoroughly before installation. After installation, remove spout outlet or flow control and flush faucet thoroughly to clear any debris. Care should be taken when cleaning the product. Do not use abrasive cleaners, chemicals or solvents as they can result in surface damage. Use mild soap and warm water for cleaning and protecting the life of Chicago Faucet products. For specific operation and maintenance refer to the installation instructions and repair parts documents that are located at www.chicagofaucets.com.

Chicago Faucets, member of the Geberit Group, is the leading brand of commercial faucets and fittings in the United States, offering a complete range of products for schools, laboratories, hospitals, office buildings, food service, airports and sport facilities. Call 1.800.TECTRUE or 1.847.803.5000 Option 1 for installation or other technical assistance.

