

Accessories & Parts

240.631.00.1

Product Type

Hard-wire, multi-use Class 2A transformer with 4" mounting plate, for up to 8 faucets

Features & Specifications

- Short-circuit (thermal cutout) protection
- CFNow! Item Ships in 3 Days

Warranty

- 1-Year Limited Material Warranty

Codes & Standards

Job Name _____

Item Number _____

Section/Tag _____

Model Specified _____

Architect _____

Engineer _____

Contractor _____

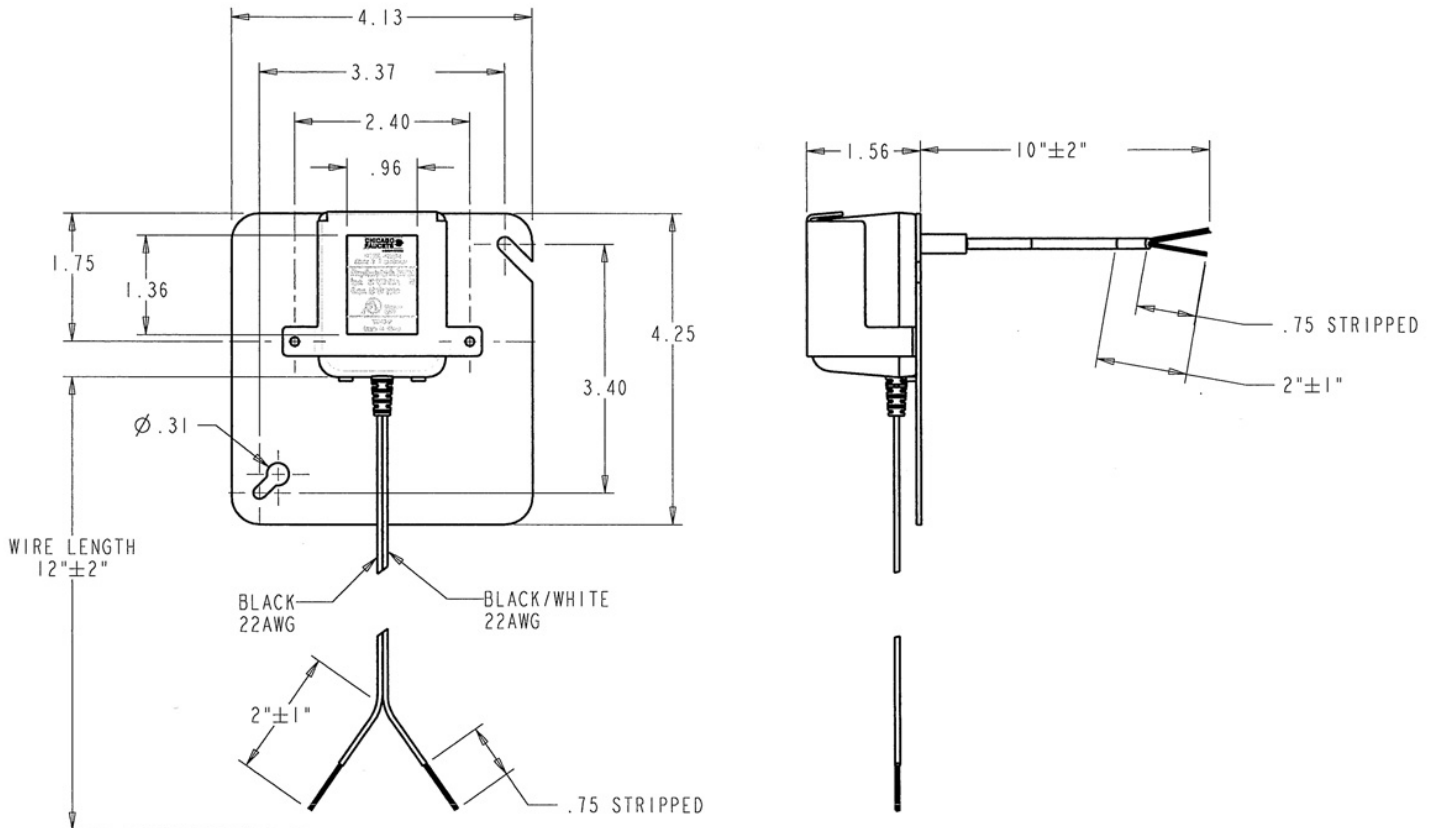
Submitted as Shown Submitted with Variations

Date _____



Architect/Engineer Specification

Chicago Faucets No. 240.631.00.1, Hard-wire Transformer, multi-use. Class 2A Transformer. Hard-wired with standard 4" mounting plate. Input voltage 120VAC 60Hz. Output voltage 12VAC. Output current 300mA. Short Circuit (Thermal Cutout) Protection. Multi-use, up to 8 faucets.



Operation and Maintenance

Installation should be in accordance with local plumbing codes. Flush all pipes thoroughly before installation. After installation, remove spout outlet or flow control and flush faucet thoroughly to clear any debris. Care should be taken when cleaning the product. Do not use abrasive cleaners, chemicals or solvents as they can result in surface damage. Use mild soap and warm water for cleaning and protecting the life of Chicago Faucet products. For specific operation and maintenance refer to the installation instructions and repair parts documents that are located at www.chicagofaucets.com.

Chicago Faucets, member of the Geberit Group, is the leading brand of commercial faucets and fittings in the United States, offering a complete range of products for schools, laboratories, hospitals, office buildings, food service, airports and sport facilities. Call 1.800.TECTRUE or 1.847.803.5000 Option 1 for installation or other technical assistance.

