

CHICAGO FAUCETS
a Geberit company

2100 South Clearwater Drive
Des Plaines, IL 60018
Phone: 847-803-5000
Fax: 847-803-5454
www.chicagofaucets.com

REPAIR PARTS

FITTING NO.

981-937CH957-3KAGVCP

SUBMITTED MODEL NO.

BY: JAR

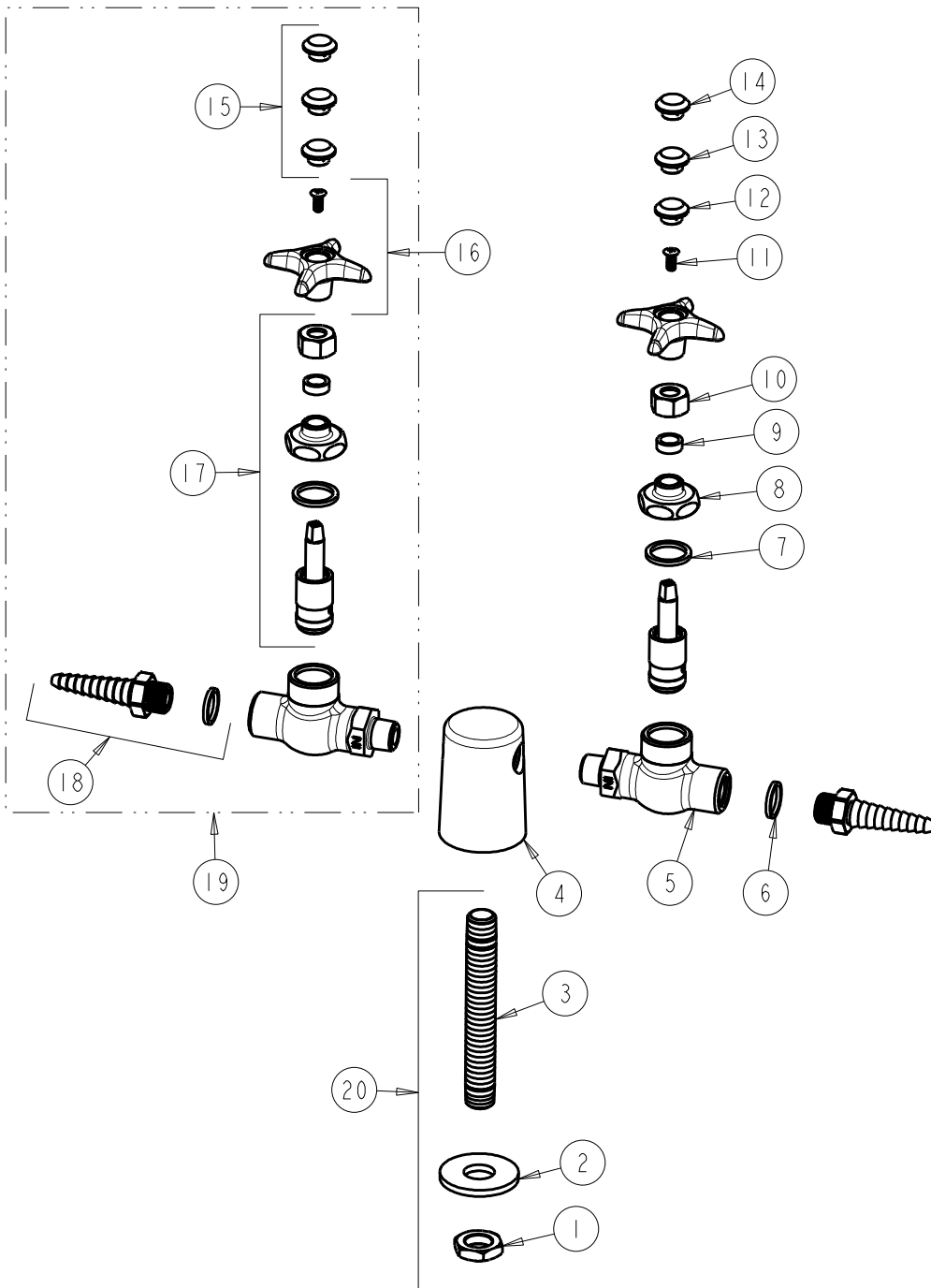
DATE: 03-25-11

CHK: *[Signature]*

REV:

ITEM NO.

FOR TECHNICAL ASSISTANCE
1-800-TEC-TRUE (1-800-832-8783)



ITEM	PART NO.	DESCRIPTION	ITEM	PART NO.	DESCRIPTION
1	705-008JKRBF	NUT	11	420-010JKRCF	SCREW, 10-32 UNC PH 1/2
2	705-010JKNF	STEEL WASHER	12	216-278JKNF	BUTTON 'AIR'
3	957-003JKRBF	MALE THREAD SHANK	13	216-328JKNF	BUTTON 'GAS'
4	981-CP	TURRET, TWO OUTLETS	14	216-378JKNF	BUTTON 'VAC'
5	—	BODY (NOT SOLD SEPARATELY)	15	216-PPJKNF	PRE-PACK (AIR, GAS, VAC)
6	229-003JKNF	WASHER	16	204-LESS216-28JKCP	HANDLE ASSEMBLY
7	1-043JKNF	GASKET, CAP 1 X .80 X .09	17	962-XJKNF	NEEDLE VALVE UNIT
8	937-018JKRCF	CAP NUT	18	E7JKCP	SERRATED HOSE NOZZLE
9	244-217JKNF	PACKING	19	937-CHAGVCP	VALVE BODY
10	937-010JKCP	NUT	20	957-003KJKRBF	SHANK ASSEMBLY 3/8 X 4-3/4