



a Geberit company

2100 South Clearwater Drive
Des Plaines, IL 60018
Phone: 847-803-5000
Fax: 847-803-5454
www.chicagofaucets.com

REPAIR PARTS

BY: SID DATE: 12-28-07

CHK: *[Signature]* REV: 10-28-14

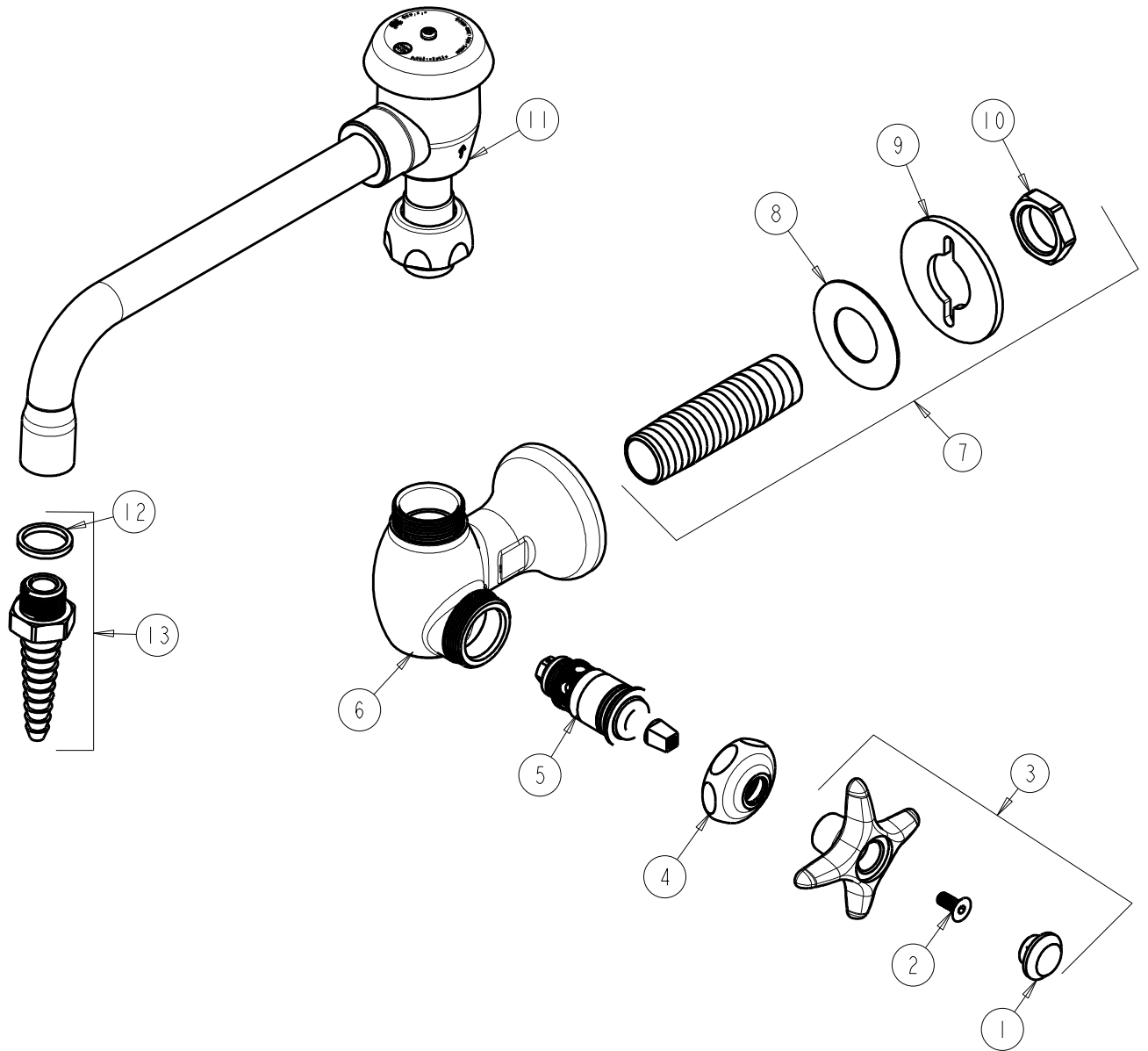
FITTING NO.

932-VBE7WSCP

SUBMITTED MODEL NO.

ITEM NO.

FOR TECHNICAL ASSISTANCE
1-800-TEC-TRUE (1-800-832-8783)



ITEM	PART NO.	DESCRIPTION	ITEM	PART NO.	DESCRIPTION
1	216-178JKNF	BUTTON 'CW'	8	333-103JKNF	RUBBER WASHER
2	420-020JKNF	SCREW, 1/8 FLAT HEX HEAD X 1/2	9	807-112JKNF	WASHER
3	204-CWJKCP	HANDLE ASSEMBLY	10	49-004JKRBF	LOCKNUT
4	1-214JKCP	CAP	11	L8BVBJKABCP	VACUUM BREAKER SWING SPOUT
5	217-XTLHJKABNF	CARTRIDGE, SLO-COMPRESSION (LH)	12	229-003JKABNF	WASHER
6	-----	VALVE BODY (NOT SOLD SEPARATELY)	13	E7JKCP	SERRATED HOSE NOZZLE
7	932-001KJKABRBF	INLET SHANK ASSEMBLY			