



a Geberit company

2100 South Clearwater Drive
Des Plaines, IL 60018
Phone: 847-803-5000
Fax: 847-803-5454
www.chicagofaucets.com

REPAIR PARTS

BY: JAR DATE: 10-30-13

CHK: REV:

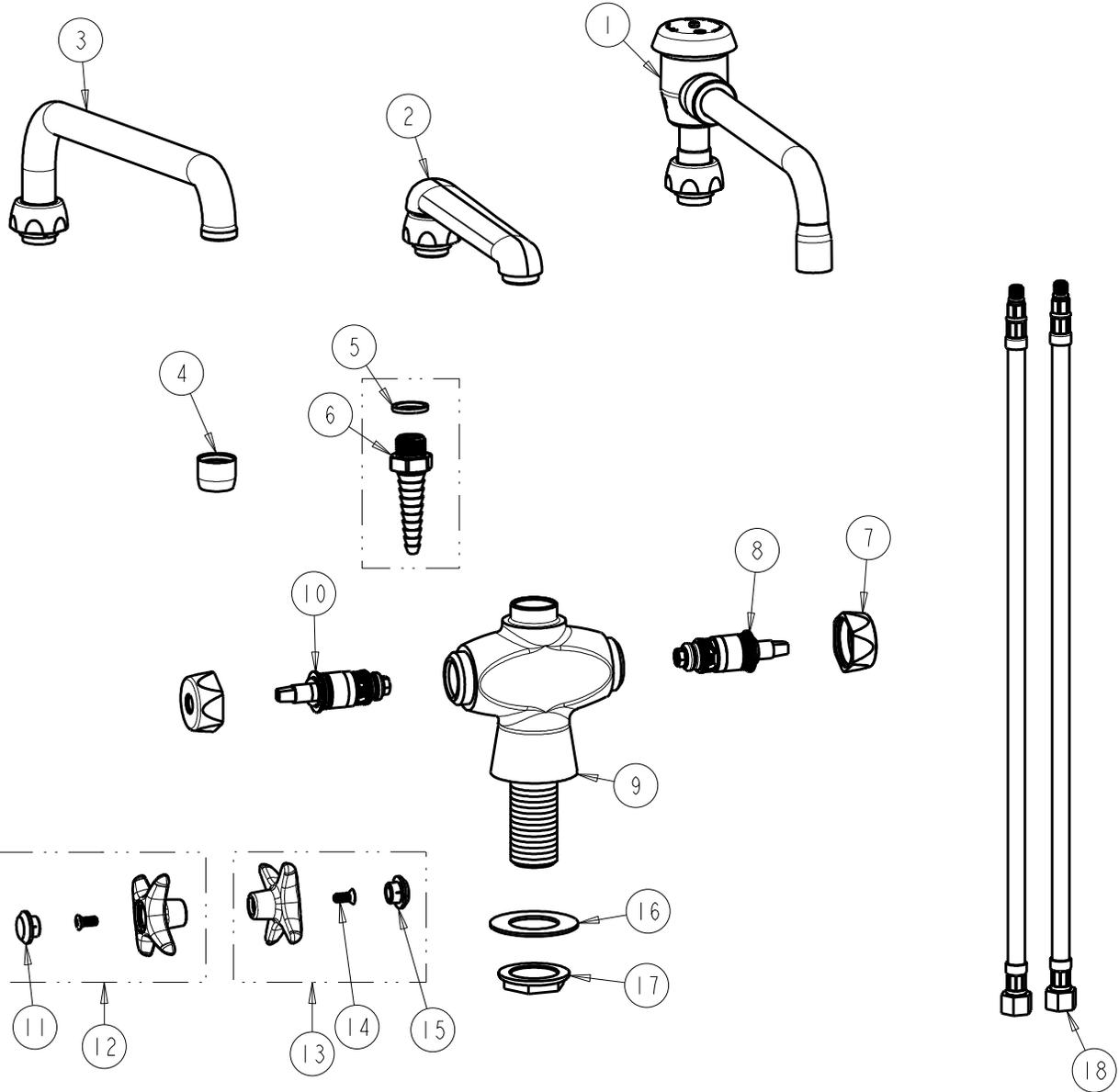
FITTING NO.

931-SERIES

SUBMITTED MODEL NO.

ITEM NO.

FOR TECHNICAL ASSISTANCE
1-800-TEC-TRUE (1-800-832-8783)



ITEM	PART NO.	DESCRIPTION	ITEM	PART NO.	DESCRIPTION
1	L8BVBE7JKCP	VACUUM BREAKER SWING SPOUT	10	217-XTLHJKABNF	CARTRIDGE, SLO-COMPRESSION
2	S6LEOJKAB	SPOUT, CAST 6" C-C	11	216-128JKNF	BUTTON 'HW'
3	L12LEOJKAB	SPOUT, 12" C-C	12	204-HWJKCP	HANDLE ASSEMBLY
4	E3JKABCP	SOFTFLO AERATOR 2.2 GPM	13	204-CWJKCP	HANDLE ASSEMBLY
5	229-003JKABNF	WASHER	14	420-010JKRCF	SCREW, 10-32 UNC PH 1/2
6	E7JKCP	SERRATED HOSE NOZZLE	15	216-178JKNF	BUTTON 'CW'
7	444-005JKCP	CAP	16	50-014JKNF	STEEL WASHER
8	217-XTRHJKABNF	CARTRIDGE, SLO-COMPRESSION (RH)	17	50-003JKRBF	LOCKNUT
9	-----	VALVE BODY (NOT SOLD SEPARATELY)	18	250-025KJKABNF	HOSE, SS BRAIDED 5/16-24 X 3/8