

CHICAGO FAUCETS
a Geberit company

2100 South Clearwater Drive
Des Plaines, IL 60018
Phone: 847-803-5000
Fax: 847-803-5454
www.chicagofaucets.com

REPAIR PARTS

BY: SID DATE: 11-07-07
CHK: *[Signature]* REV:

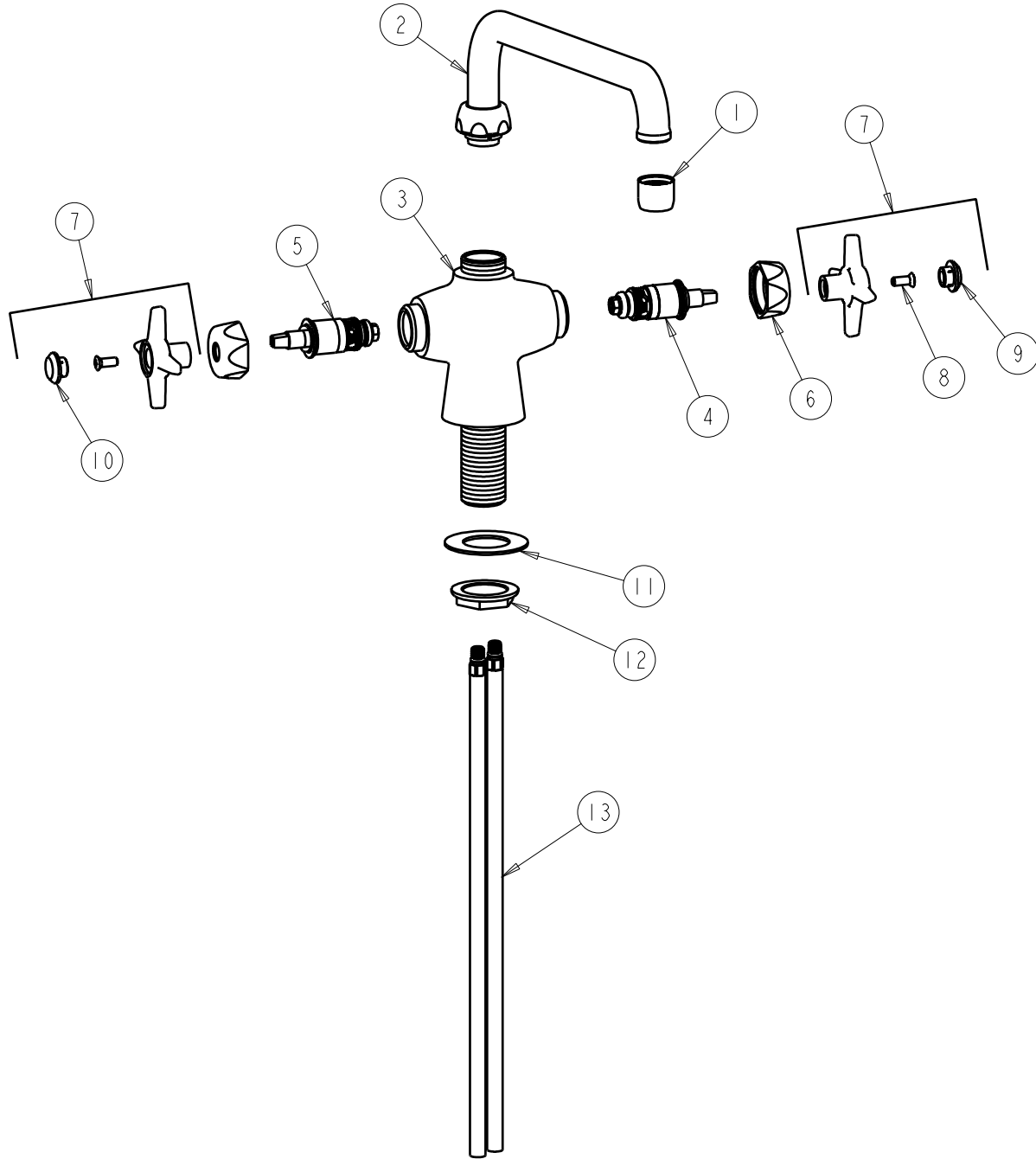
FITTING NO.

931-L12CP

SUBMITTED MODEL NO.

ITEM NO.

FOR TECHNICAL ASSISTANCE
1-800-TEC-TRUE (1-800-832-8783)



ITEM	PART NO.	DESCRIPTION	ITEM	PART NO.	DESCRIPTION
1	E3JKCP	SOFTFLO AERATOR	8	420-010JKRCF	SCREW, 10-32 UNC PH 1/2
2	L12LESSE3JKCP	FOR PARTS SEE L12LESSE3JKCP	9	216-178JKNF	BUTTON 'CW'
3	---	VALVE BODY (NOT SOLD SEPARATELY)	10	216-128JKNF	BUTTON 'HW'
4	217-XTRHJKNF	CARTRIDGE, SLO-COMPRESSION	11	50-014JKNF	STEEL WASHER
5	217-XTLHJKNF	CARTRIDGE, SLO-COMPRESSION	12	50-003JKRBF	LOCKNUT
6	444-005JKCP	CAP	13	50-101KJKNF	SUPPLY TUBE ASSEMBLY
7	204-PRJKCP	HANDLE ASSEMBLY (PAIR)			