

**CHICAGO FAUCETS**  
a Geberit company

2100 South Clearwater Drive  
Des Plaines, IL 60018  
Phone: 847-803-5000  
Fax: 847-803-5454  
www.chicagofaucets.com

**REPAIR PARTS**

FITTING NO.

**930-GN8BVBE7-317CP**

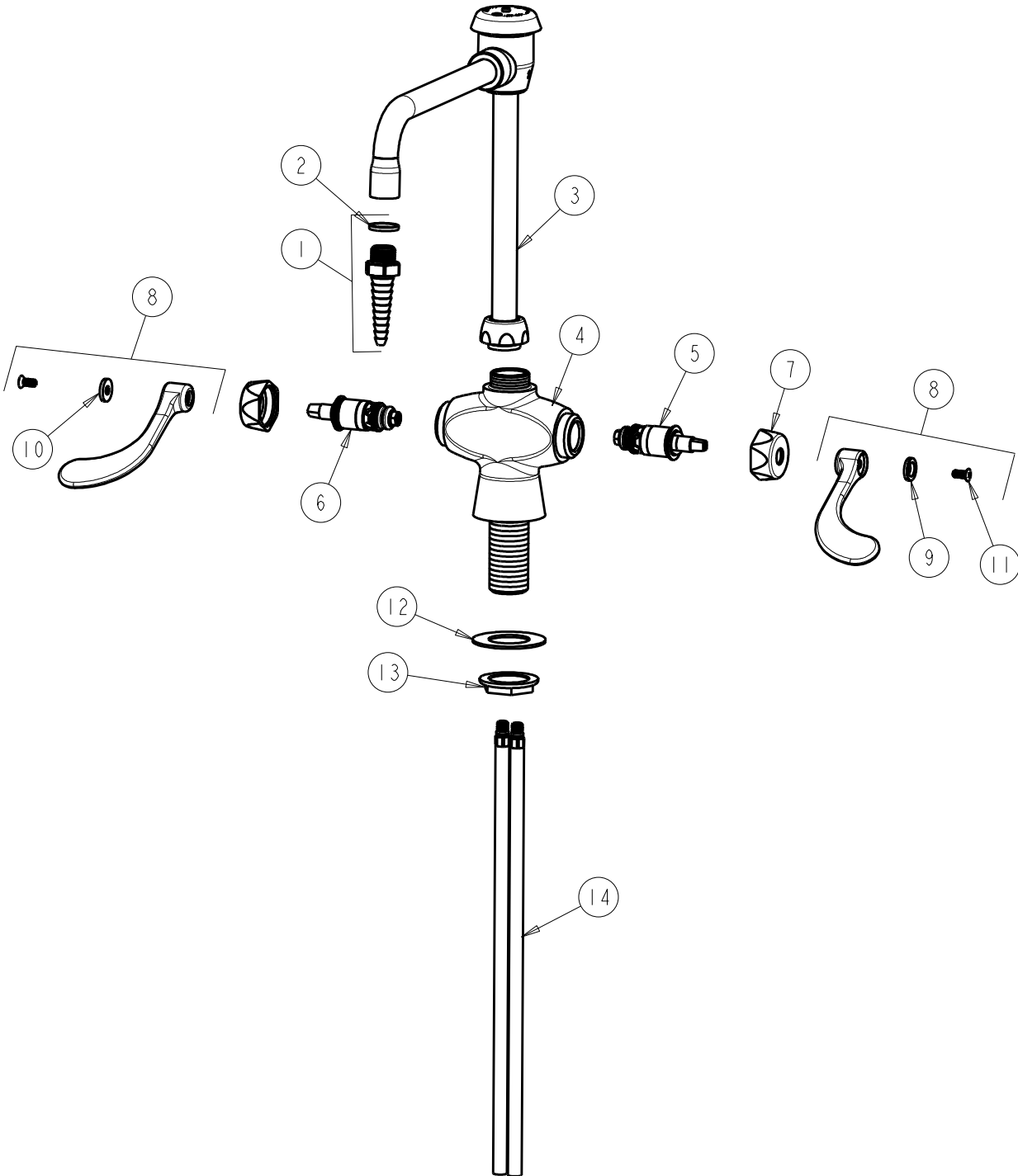
SUBMITTED MODEL NO.

ITEM NO.

BY: SID DATE: 10-24-11

CHK: *[Signature]* REV:

**FOR TECHNICAL ASSISTANCE**  
1-800-TEC-TRUE (1-800-832-8783)



ITEM	PART NO.	DESCRIPTION	ITEM	PART NO.	DESCRIPTION
1	E7JKCP	SERRATED HOSE NOZZLE	8	317-PRJKCP	HANDLE, 4" WRISTBLADE (PAIR)
2	229-003JKNF	WASHER	9	633-123JKNF	INDEX BUTTON (BLUE)
3	GN8BVBJKCP	VACUUM BREAKER SWING SPOUT	10	633-023JKNF	INDEX BUTTON (RED)
4	---	VALVE BODY (NOT SOLD SEPARATELY)	11	420-010JKRCF	SCREW, 10-32 UNC PH 1/2
5	1-099XTJKNF	QUATURN CARTRIDGE (RH)	12	50-014JKNF	STEEL WASHER
6	1-100XTJKNF	QUATURN CARTRIDGE (LH)	13	50-003JKRBF	LOCKNUT
7	444-005JKCP	CAP	14	50-101KJKNF	SUPPLY TUBE ASSEMBLY