

**CHICAGO FAUCETS**  
a Geberit company

2100 South Clearwater Drive  
Des Plaines, IL 60018  
Phone: 847-803-5000  
Fax: 847-803-5454  
www.chicagofaucets.com

**REPAIR PARTS**

FITTING NO.

**928-GN8BVBE7-317XKCP**

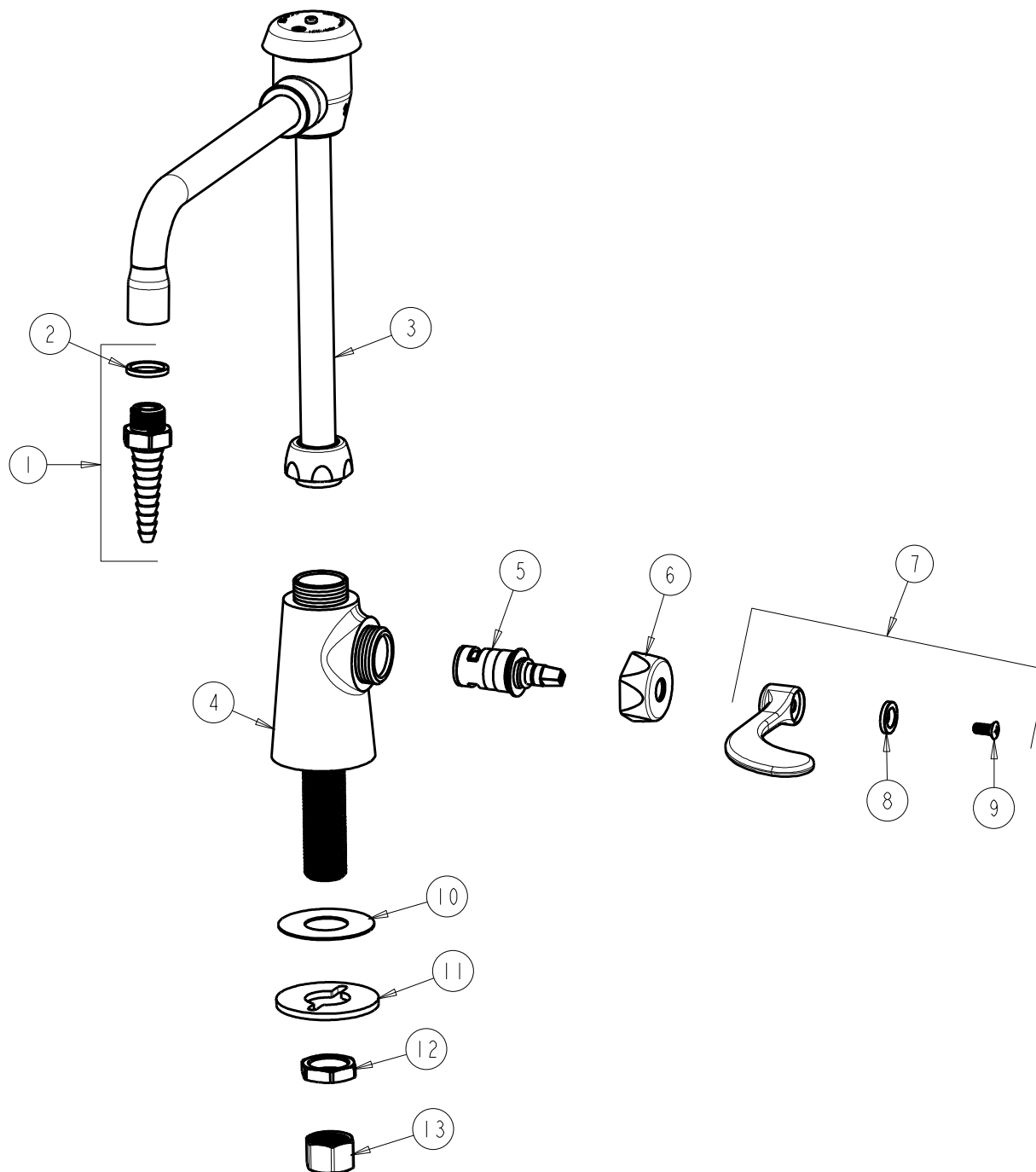
SUBMITTED MODEL NO.

BY: SID DATE: 05-22-12

CHK: *[Signature]* REV:

ITEM NO.

**FOR TECHNICAL ASSISTANCE**  
1-800-TEC-TRUE (1-800-832-8783)



ITEM	PART NO.	DESCRIPTION	ITEM	PART NO.	DESCRIPTION
1	E7JKCP	SERRATED HOSE NOZZLE	8	633-123JKNF	INDEX BUTTON (BLUE)
2	229-003JKNF	WASHER	9	420-010JKRCF	SCREW, 10-32 UNC PH 1/2
3	GN8BVBJKCP	VACUUM BREAKER SWING SPOUT	10	52-007JKNF	WASHER, RUBBER
4	---	VALVE BODY (NOT SOLD SEPARATELY)	11	807-112JKNF	WASHER
5	1-099XKJKNF	RH CERAMIC CARTRIDGE	12	49-004JKRBF	LOCKNUT
6	444-005JKCP	CAP	13	49-005JKRBF	COUPLING NUT
7	317-COLDJKCP	WRISTBLADE HANDLE			