

CHICAGO FAUCETS
a Geberit company

2100 South Clearwater Drive
Des Plaines, IL 60018
Phone: 847-803-5000
Fax: 847-803-5454
www.chicagofaucets.com

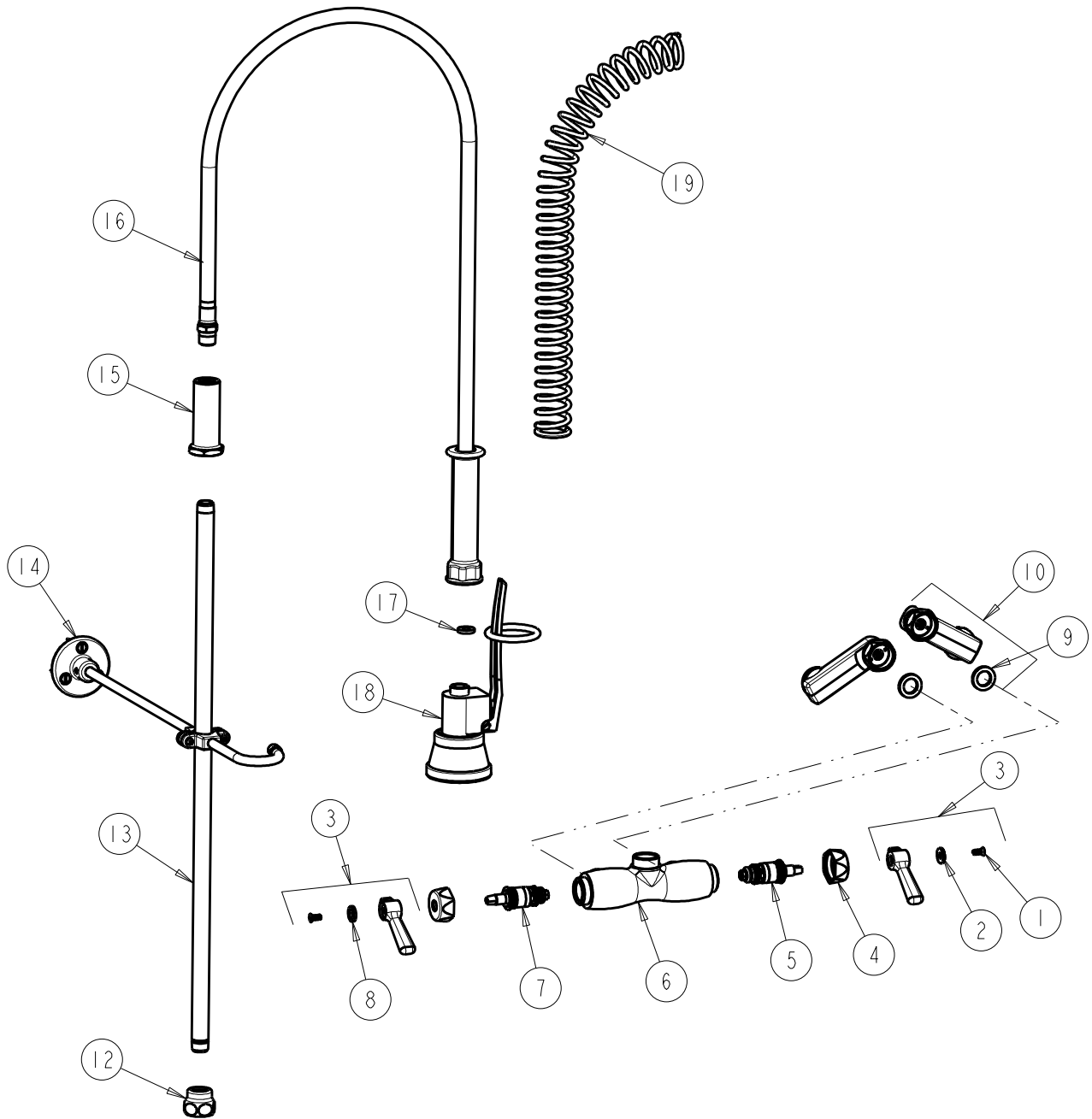
REPAIR PARTS

FITTING NO.
923-HCTFABCP
SUBMITTED MODEL NO.

FOR TECHNICAL ASSISTANCE
1-800-TEC-TRUE (1-800-832-8783)

BY: SID DATE: 10-21-11
CHK: *[Signature]* REV:

ITEM NO.



ITEM	PART NO.	DESCRIPTION	ITEM	PART NO.	DESCRIPTION
1	420-010JKRCF	SCREW, 10-32 UNC PH 1/2	12	BA2JKCP	ADAPTER 3/8 NPT X 1 1/16-18 UNEF
2	633-123JKNF	INDEX BUTTON (BLUE)	13	919-039JKABCP	3/8" NPT X 23" RISER
3	369-PRJKCP	LEVER HANDLE ASSEMBLY (PAIR)	14	902-MHJKCP	PIPE STRAP AND HOOK ASSEMBLY
4	444-005JKCP	CAP	15	919-038JKCP	GUIDE SHANK
5	1-099XTJKABNF	QUATURN CARTRIDGE (RH)	16	83-44ABNF	44" HOSE AND HANDLE ASSEMBLY
6	-----	VALVE BODY (NOT SOLD SEPARATELY)	17	919-243JKNF	GASKET, .685 X .375 X .125
7	1-100XTJKABNF	QUATURN UNIT (LH)	18	99TF	TRIPLE FORCE PRE-RINSE VALVE
8	633-023JKNF	INDEX BUTTON (RED)	19	919-014JKCP	SPRING
9	1-011JKNF	WASHER, .97 X .62 X .12			
10	HCJKABCP	ARM ASSEMBLY w/WASHER			