

CHICAGO FAUCETS 

a Geberit company

2100 South Clearwater Drive
Des Plaines, IL 60018
Phone: 847-803-5000
Fax: 847-803-5454
www.chicagofaucets.com

FOR TECHNICAL ASSISTANCE
1-800-TEC-TRUE (1-800-832-8783)

REPAIR PARTS

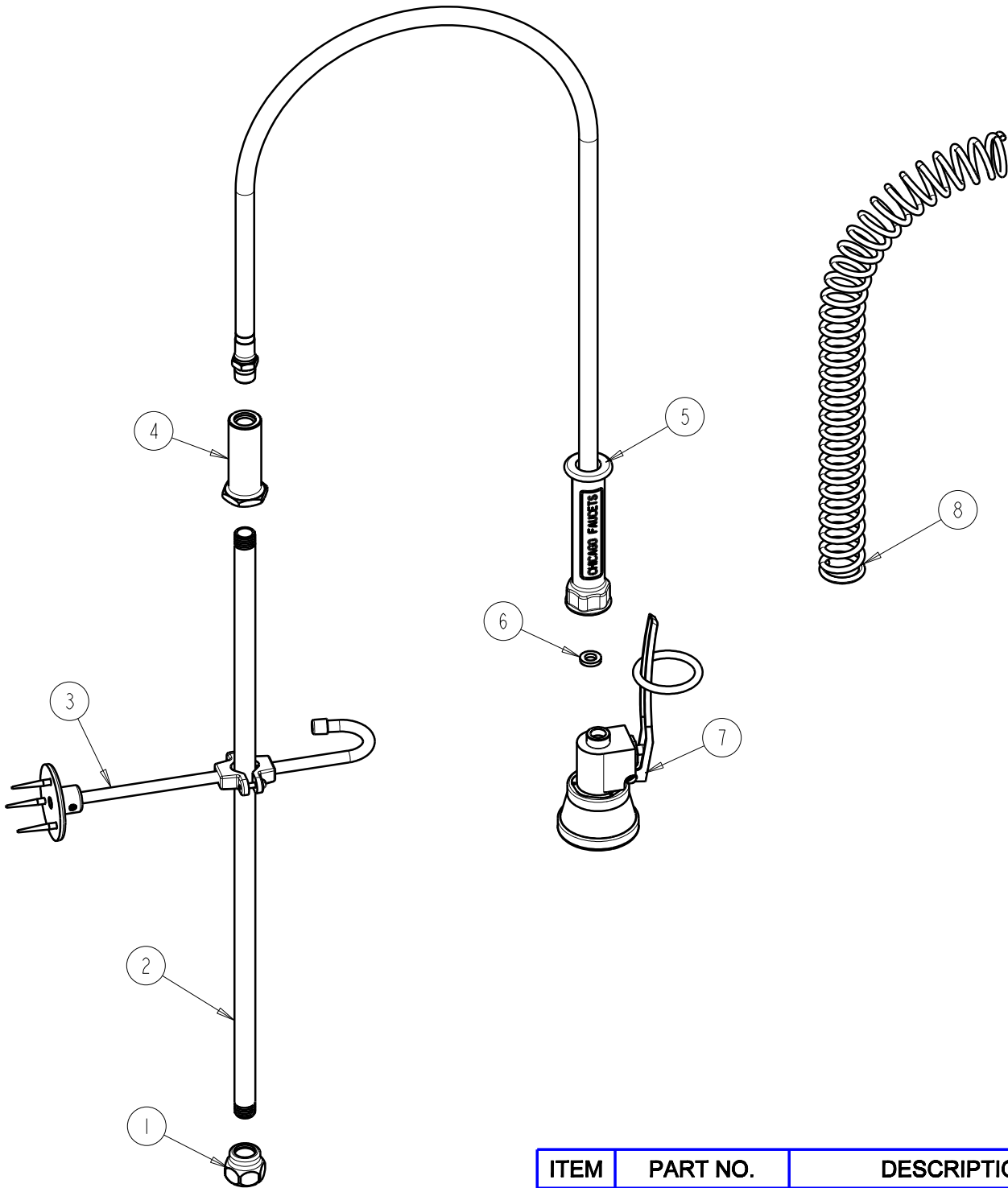
BY: SID DATE: 07-20-10
CHK: *[Signature]* REV: 07-28-10

FITTING NO.

919-STFCP

SUBMITTED MODEL NO.

ITEM NO.



ITEM	PART NO.	DESCRIPTION
1	BA2JKCP	ADAPTER 3/8 NPT X 1 1/16-18 UNEF
2	919-039JKCP	RISER 3/8" X 23"
3	902-MHJKCP	PIPE STRAP AND HOOK ASSEMBLY
4	919-038JKCP	GUIDE SHANK
5	83-44NF	HOSE & HANDLE
6	919-243JKNF	GASKET, .685 X .375 X .125
7	99TF	TRIPLE FORCE PRE-RINSE VALVE
8	919-014JKCP	SPRING