

CHICAGO FAUCETS
a Geberit company

2100 South Clearwater Drive
Des Plaines, IL 60018
Phone: 847-803-5000
Fax: 847-803-5454
www.chicagofaucets.com

REPAIR PARTS

FITTING NO.

919-SLCP

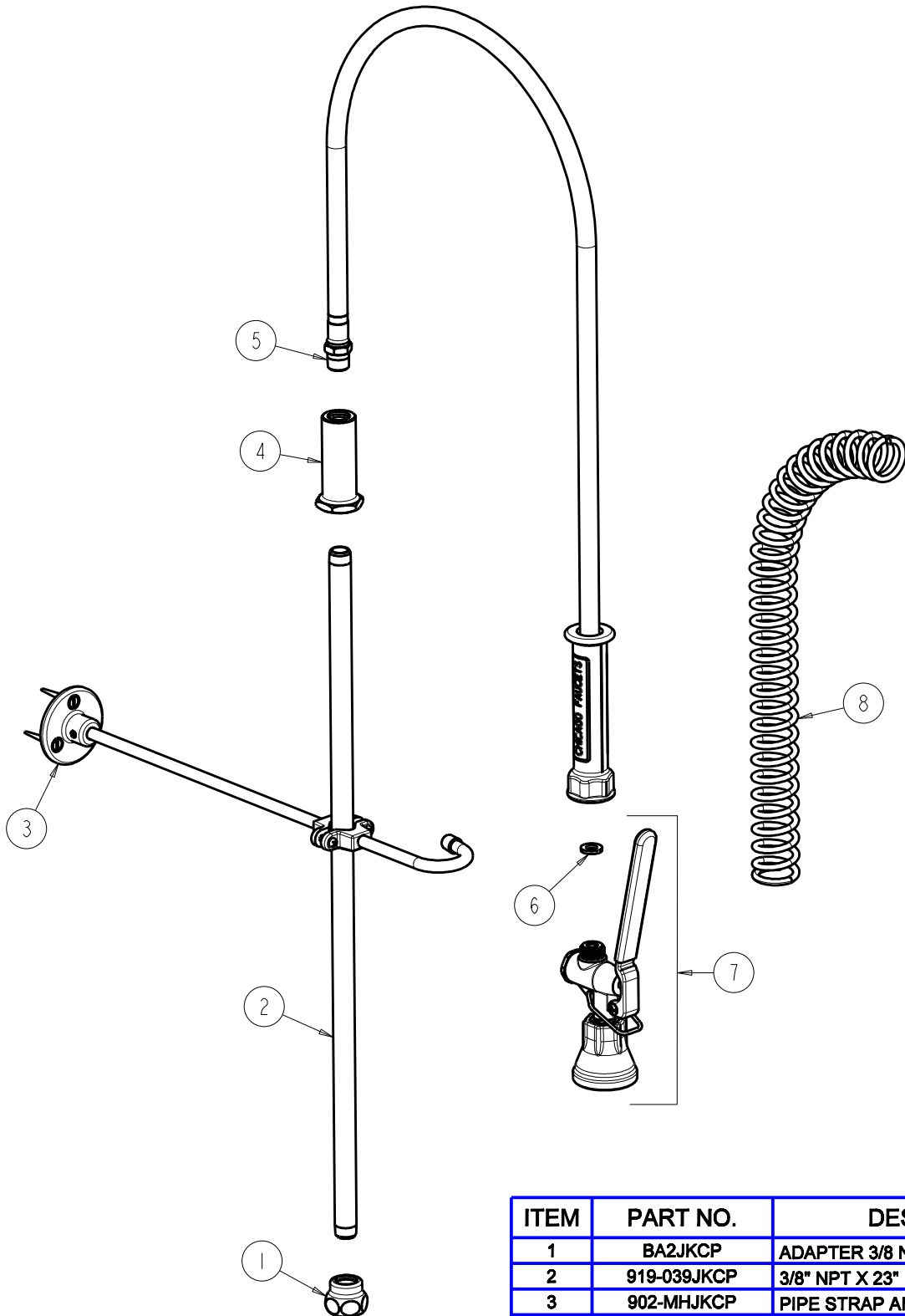
SUBMITTED MODEL NO.

ITEM NO.

BY: JAR DATE: 07-31-00

CHK: *[Signature]* REV: 05-12-11

FOR TECHNICAL ASSISTANCE
1-800-TEC-TRUE (1-800-832-8783)



ITEM	PART NO.	DESCRIPTION
1	BA2JKCP	ADAPTER 3/8 NPT X 1 1/16-18 UNEF
2	919-039JKCP	3/8" NPT X 23" RISER
3	902-MHJKCP	PIPE STRAP AND HOOK ASSEMBLY
4	919-038JKCP	GUIDE SHANK
5	83-44NF	44" HOSE AND HANDLE ASSEMBLY
6	919-243JKNF	GASKET, .67 X .35 X .09
7	90-LABCP	PRE-RINSE VALVE, LOW FLOW
8	919-014JKCP	SPRING