

PARTS LIST

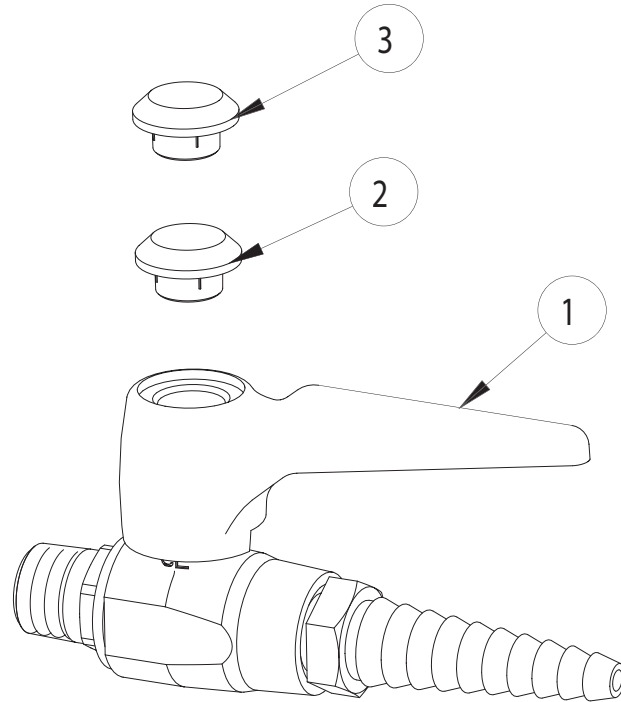
BY: JAR
CHK'D:



FINISH:
DATE:

SATIN ANTIMICROBIAL
2-21-02

909-CAG



ITEM NO.	PART NO.	DESCRIPTION
1	-----	VALVE ASSEMBLY W/ CHECK
2	216-278	'AIR' INDEX BUTTON
3	216-328	'GAS' INDEX BUTTON