

CHICAGO FAUCETS
a Geberit company

2100 South Clearwater Drive
Des Plaines, IL 60018
Phone: 847-803-5000
Fax: 847-803-5454
www.chicagofaucets.com

REPAIR PARTS

BY: SID DATE: 10-21-11
CHK: *[Signature]* REV:

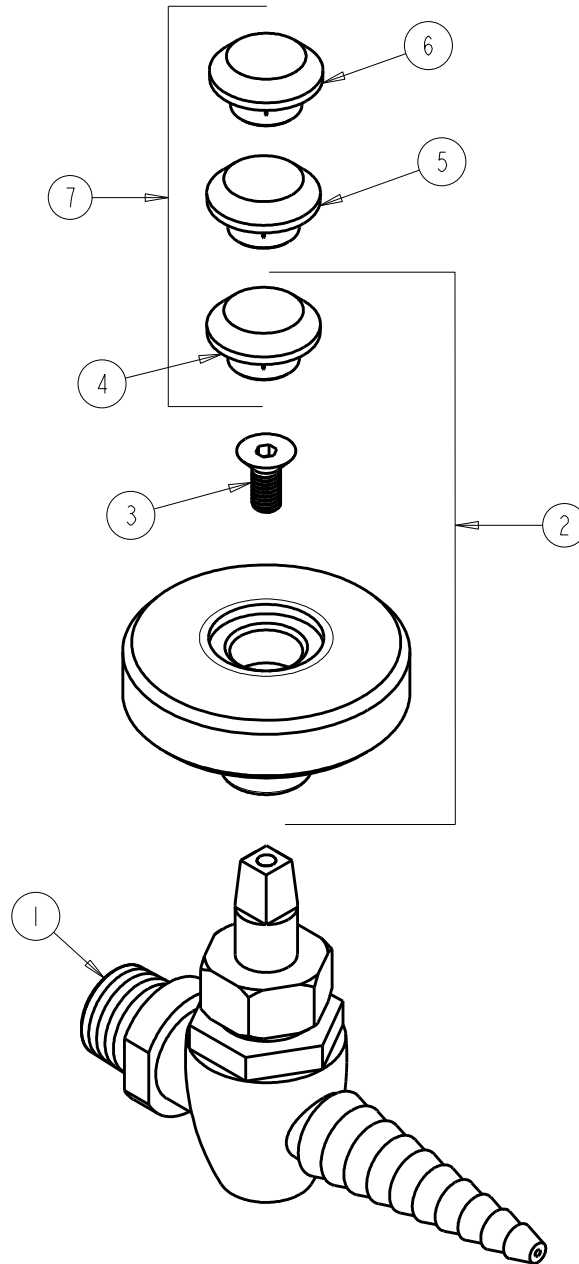
FITTING NO.

901-BAGVCP

SUBMITTED MODEL NO.

ITEM NO.

FOR TECHNICAL ASSISTANCE
1-800-TEC-TRUE (1-800-832-8783)



ITEM	PART NO.	DESCRIPTION
1	---	VALVE BODY (NOT SOLD SEPARATELY)
2	945-GASJKCP	HANDLE ASSEMBLY
3	420-020JKNF	SCREW, 1/8 FLAT HEX HEAD X 1/2
4	216-328JKNF	BUTTON 'GAS'
5	216-278JKNF	BUTTON 'AIR'
6	216-378JKNF	BUTTON 'VAC'
7	216-PPJKNF	PRE-PACK, BUTTONS (AIR, GAS, VAC)