

CHICAGO FAUCETS
a Geberit company

2100 South Clearwater Drive
Des Plaines, IL 60018
Phone: 847-803-5000
Fax: 847-803-5454
www.chicagofaucets.com

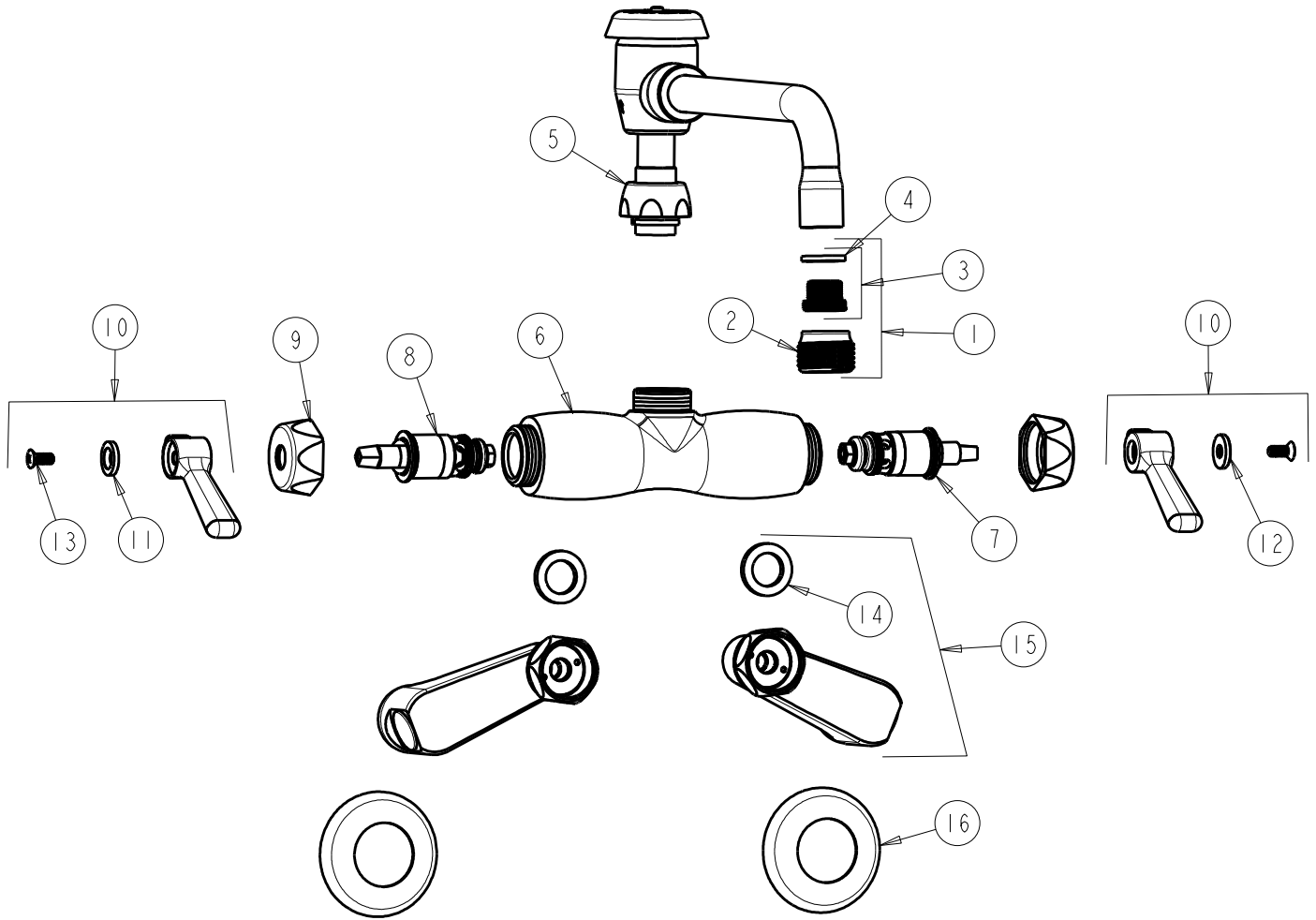
REPAIR PARTS

BY: SID DATE: 11-04-11
CHK: *[Signature]* REV:

FITTING NO.
886-RL8BVBE2-2CP
SUBMITTED MODEL NO.

FOR TECHNICAL ASSISTANCE
1-800-TEC-TRUE (1-800-832-8783)

ITEM NO.



ITEM	PART NO.	DESCRIPTION	ITEM	PART NO.	DESCRIPTION
1	E2-2JKRCF	OUTLET WITH ADAPTER	9	444-005JKCP	CAP
2	E2JKRCF	3/4 MALE HOSE THREAD OUTLET	10	369-PRJKCP	LEVER HANDLE ASSEMBLY (PAIR)
3	K2JKRCF	ADAPTER w/WASHER	11	633-023JKNF	INDEX BUTTON (RED)
4	229-003JKNF	WASHER	12	633-123JKNF	INDEX BUTTON (BLUE)
5	L8BVBJKCP	VACUUM BREAKER SWING SPOUT	13	420-010JKRCF	SCREW, 10-32 UNC PH 1/2
6	---	VALVE BODY (NOT SOLD SEPARATELY)	14	1-011JKNF	WASHER, .97 X .62 X .12
7	1-099XTJKNF	QUATURN CARTRIDGE (RH)	15	RJKABCP	SUPPLY ARM WITH BUILT-IN SHUT-OFF
8	1-100XTJKNF	QUATURN CARTRIDGE (LH)	16	1-055JKCP	FLANGE