

CHICAGO FAUCETS 

a Geberit company

2100 South Clearwater Drive
Des Plaines, IL 60018
Phone: 847-803-5000
Fax: 847-803-5454
www.chicagofaucets.com

REPAIR PARTS

BY: SID DATE: 06-24-09

CHK: REV:

FITTING NO.

869-BLHPVC

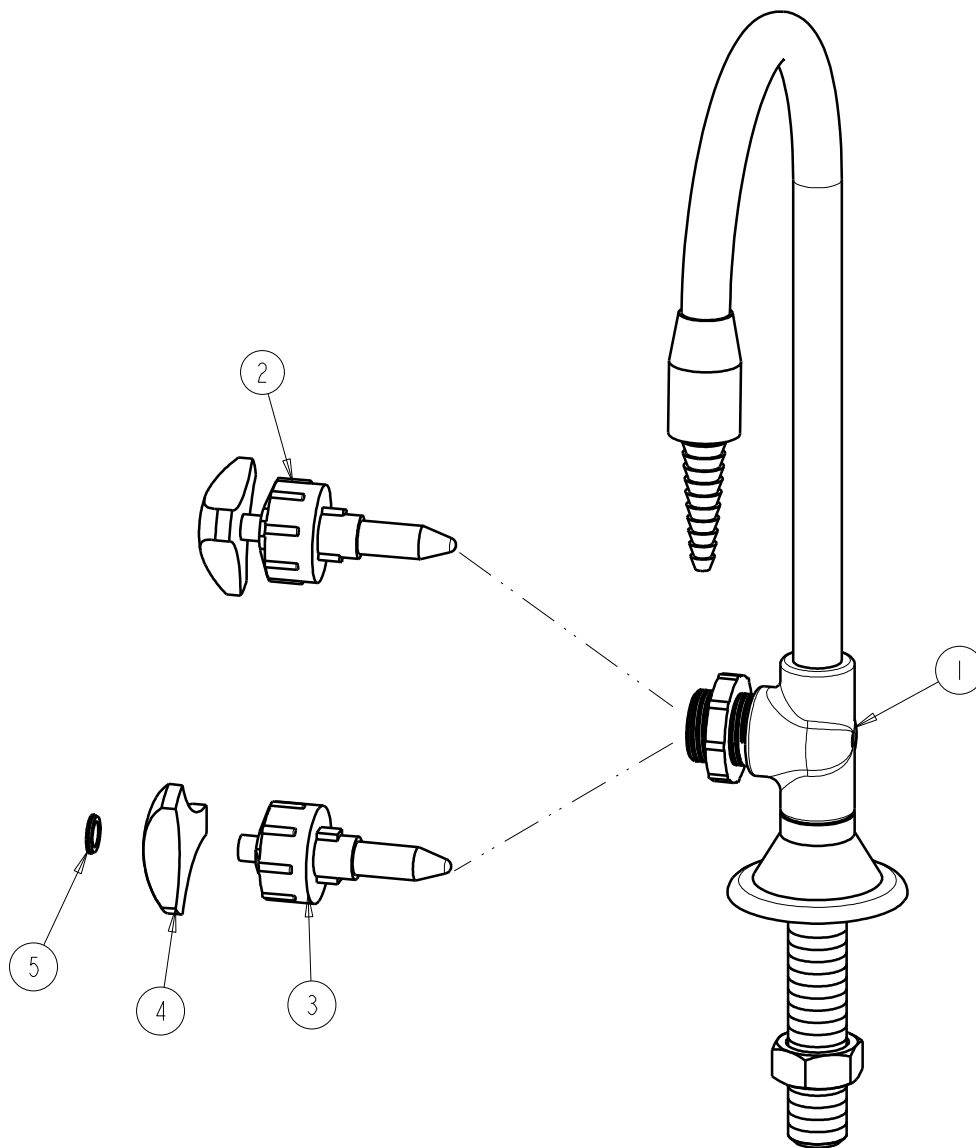
SUBMITTED MODEL NO.

ITEM NO.

FOR TECHNICAL ASSISTANCE
1-800-TEC-TRUE (1-800-832-8783)

NOTE:

PARTS 3, 4, AND 5 ARE FOR EARLIER MODEL 869-B FITTINGS
NEEDLE VALVE UNITS ARE NOT INTERCHANGABLE BETWEEN OLD AND NEW STYLE FAUCETS.



ITEM	PART NO.	DESCRIPTION
1	—	DISTILLED WATER FAUCET
2	870-110KJKPVC	NEEDLE VALVE UNIT
3	870-010KJKPVC	NEEDLEPOINT VALVE
4	870-006JKPVC	HANDLE
5	870-007JKPVC	BUTTON, WHITE