



a Geberit company

2100 South Clearwater Drive  
Des Plaines, IL 60018  
Phone: 847-803-5000  
Fax: 847-803-5454  
www.chicagofaucets.com

**FOR TECHNICAL ASSISTANCE**  
1-800-TEC-TRUE (1-800-832-8783)

# REPAIR PARTS

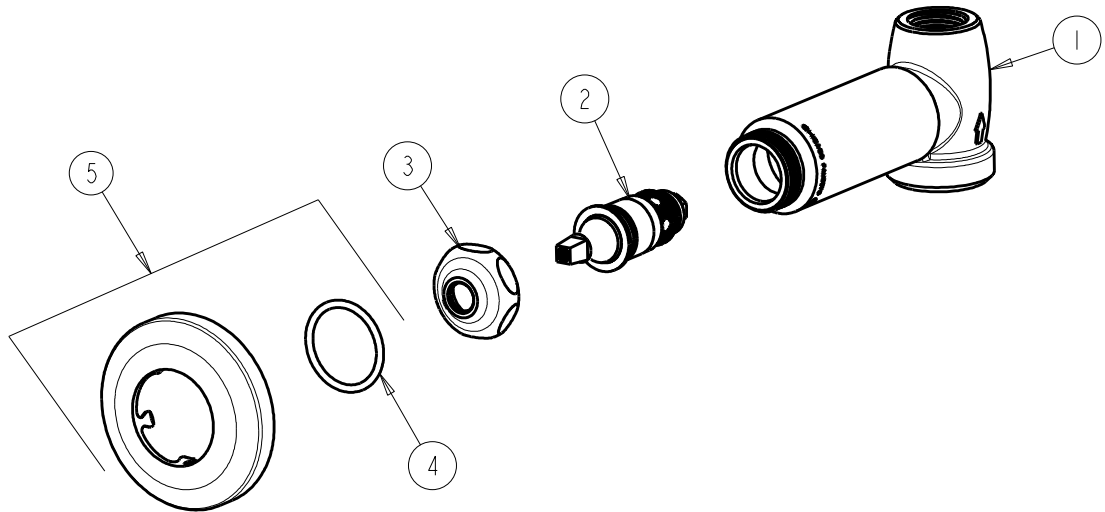
BY: SID    DATE: 12-05-16  
CHK: *AR*    REV:

FITTING NO.

**770-LEHAB**

SUBMITTED MODEL NO.

ITEM NO.



ITEM	PART NO.	DESCRIPTION
1	-----	VALVE BODY (NOT SODL SEPARATELY)
2	217-XTLHJKABNF	CARTRIDGE, SLO-COMPRESSION (LH)
3	1-214JKCP	CAP
4	5235-107JKNF	O-RING
5	633-201JKCP	FLANGE & O-RING