



a Geberit company

2100 South Clearwater Drive
Des Plaines, IL 60018
Phone: 847-803-5000
Fax: 847-803-5454
www.chicagofaucets.com

REPAIR PARTS

BY: SID DATE: 08-14-15

CHK: *AR* REV:

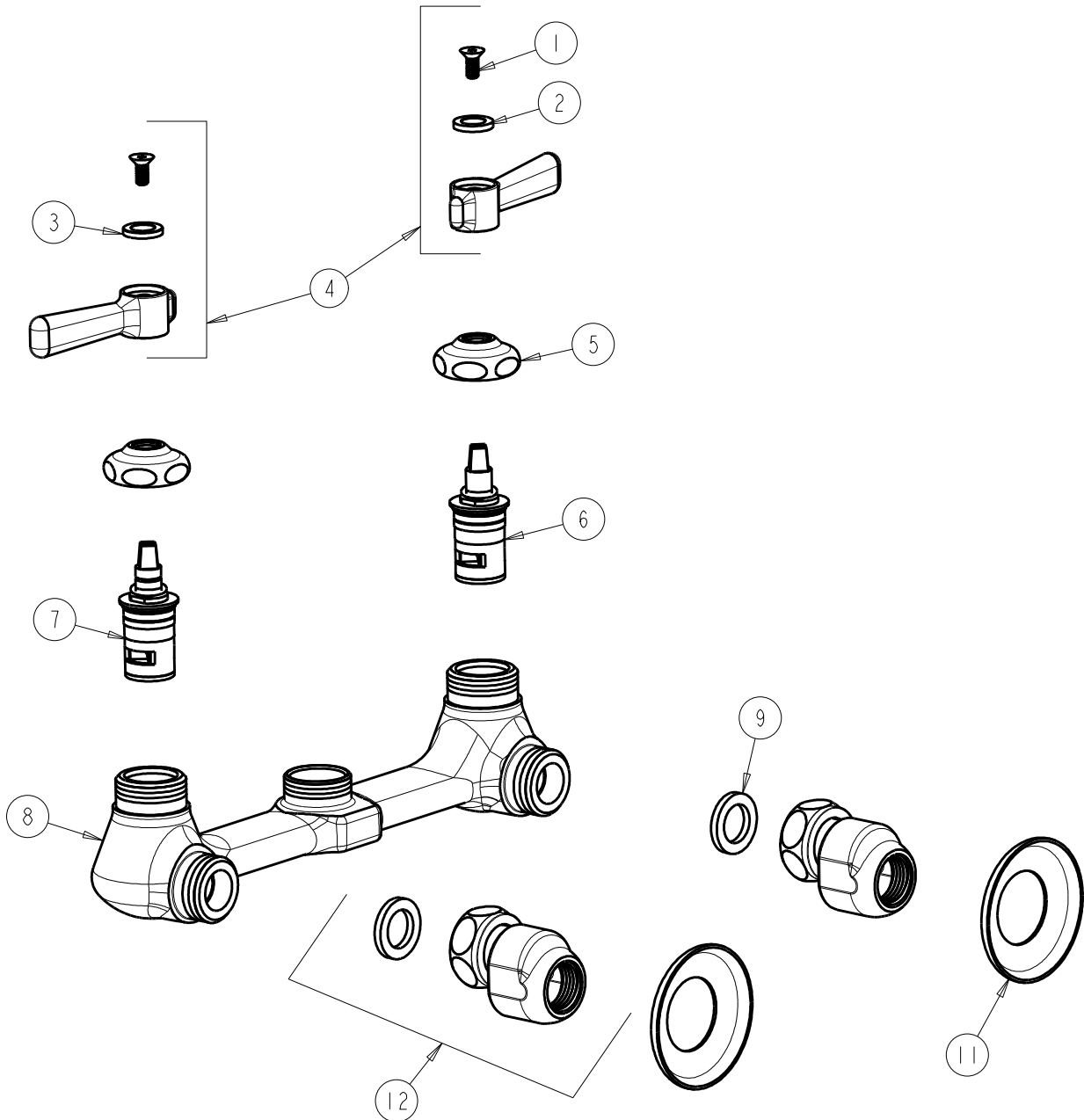
FITTING NO.

540-LDLESXKAB

SUBMITTED MODEL NO.

ITEM NO.

FOR TECHNICAL ASSISTANCE
1-800-TEC-TRUE (1-800-832-8783)



ITEM	PART NO.	DESCRIPTION	ITEM	PART NO.	DESCRIPTION
1	420-020JKNF	SCREW, 1/8 FLAT HEX HEAD X 1/2	7	1-099XKJKABNF	RH CERAMIC CARTRIDGE 1/4
2	633-023JKNF	INDEX BUTTON (RED)	8	-----	VALVE BODY (NOT SOLD SEPARATELY)
3	633-123JKNF	INDEX BUTTON (BLUE)	9	1-011JKABNF	WASHER, .97 X .62 X .12
4	369-PRJKCP	HANDLE, 2-3/8" LEVER (PAIR)	10	GJKABCP	ARM ASSEMBLY w/WASHER
5	1-214JKCP	CAP	11	1-055JKCP	FLANGE
6	1-100XKJKABNF	LH CERAMIC CARTRIDGE 1/4			