



a Geberit company

**FOR TECHNICAL ASSISTANCE**  
 1-800-TEC-TRUE (1-800-832-8783)

2100 South Clearwater Drive  
 Des Plaines, IL 60018  
 Phone: 847-803-5000  
 Fax: 847-803-5454  
 www.chicagofaucets.com

# REPAIR PARTS

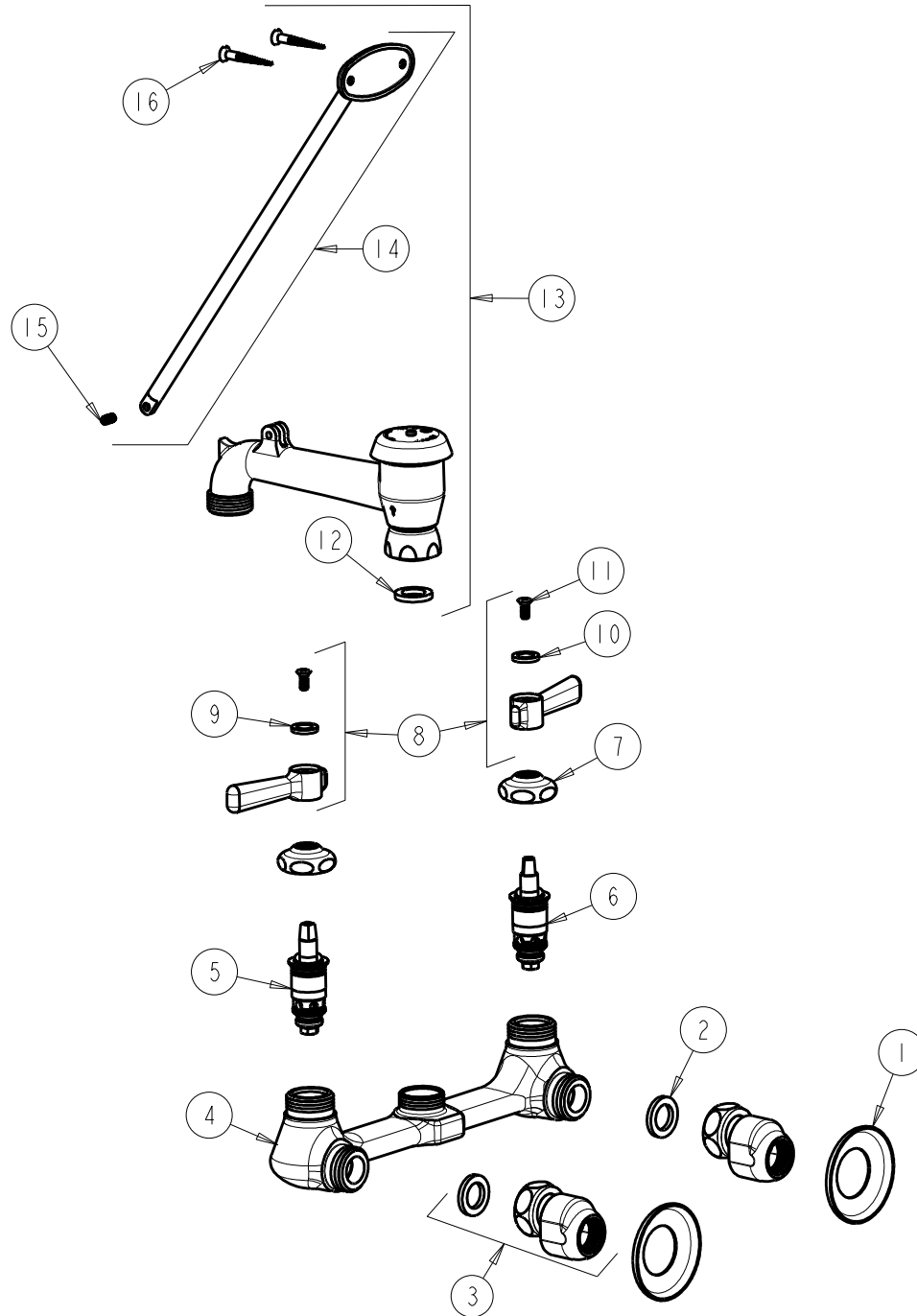
BY: SID      DATE: 02-25-09  
 CHK: *[Signature]*      REV: 02-25-14

FITTING NO.

**540-LD897SCP**

SUBMITTED MODEL NO.

ITEM NO.



ITEM	PART NO.	DESCRIPTION	ITEM	PART NO.	DESCRIPTION
1	1-055JKCP	FLANGE	9	633-123JKNF	INDEX BUTTON (BLUE)
2	1-011JKABNF	WASHER, .97 X .62 X .12	10	633-023JKNF	INDEX BUTTON (RED)
3	GJKABCP	ARM ASSEMBLY w/WASHER	11	420-010JKRCF	SCREW, 10-32 UNC PH 1/2
4	-----	VALVE BODY (NOT SOLD SEPARATELY)	12	340-004JKABNF	CELCON WASHER
5	1-099XTJKABNF	QUATURN CARTRIDGE (RH)	13	897-SJKCP	VB SPOUT w/ BRACE ROD
6	1-100XTJKABNF	QUATURN CARTRIDGE (LH)	14	897-018KJKCP	BRACE ROD ASSEMBLY 12"
7	1-214JKCP	CAP	15	665-116JKNF	SET SCREW
8	369-PRJKCP	HANDLE, 2-3/8" LEVER (PAIR)	16	173-006JKCP	FLAT HEAD WOOD SCREW