

CHICAGO FAUCETS 

a Geberit company

2100 South Clearwater Drive
Des Plaines, IL 60018
Phone: 847-803-5000
Fax: 847-803-5454
www.chicagofaucets.com

REPAIR PARTS

BY: JAR DATE: 01-29-13

CHK:  REV:

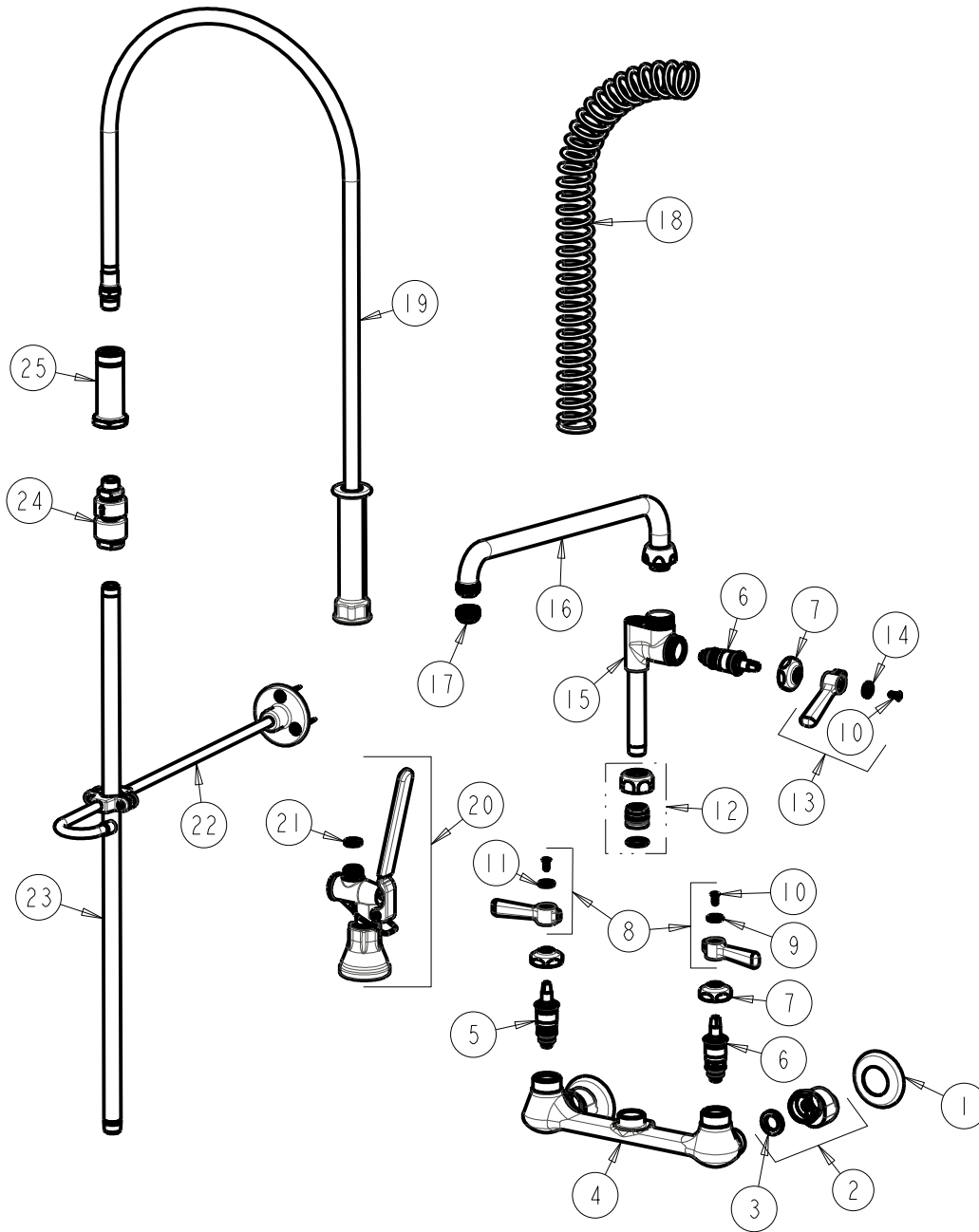
FITTING NO.

510-GCVB613AL15ABCP

SUBMITTED MODEL NO.

ITEM NO.

FOR TECHNICAL ASSISTANCE
1-800-TEC-TRUE (1-800-832-8783)



ITEM	PART NO.	DESCRIPTION	ITEM	PART NO.	DESCRIPTION
1	1-055JKCP	FLANGE	14	633-223JKNF	INDEX BUTTON (WHITE)
2	GCJKABCP	ARM ASSEMBLY 'GC' WITH WASHER	15	-----	VALVE BODY (NOT SOLD SEPARATELY)
3	1-011JKNF	WASHER, .97 X .62 X .12	16	L15LESE3JKCP	SPOUT
4	----	VALVE BODY (NOT SOLD SEPARATELY)	17	E1JKABRCF	QUIXTOP OUTLET
5	1-100XTJKABNF	QUATURN CARTRIDGE (LH)	18	919-014JKCP	SPRING
6	1-099XTJKABNF	QUATURN CARTRIDGE (RH)	19	83-44ABNF	44" HOSE AND HANDLE ASSEMBLY
7	1-214JKCP	CAP	20	90-LABCP	PRE-RINSE VALVE, LOW FLOW
8	369-PRJKCP	LEVER HANDLE ASSEMBLY (PAIR)	21	919-243JKNF	GASKET, .685 X .375 X .125
9	633-123JKNF	INDEX BUTTON (BLUE)	22	902-MHJKCP	PIPE STRAP AND HOOK ASSEMBLY
10	420-010JKRCF	SCREW, 10-32 UNC PH 1/2	23	919-039JKABCP	3/8" NPT X 23" RISER
11	633-023JKNF	INDEX BUTTON (RED)	24	E23JKABCP	BACK-FLOW PREVENTER
12	143-PPJKABNF	PRE-PACK	25	919-038JKABCP	GUIDE SHANK
13	369-PLJKCP	PLAIN LEVER HANDLE			