

**CHICAGO FAUCETS**  
a Geberit company

2100 South Clearwater Drive  
Des Plaines, IL 60018  
Phone: 847-803-5000  
Fax: 847-803-5454  
www.chicagofaucets.com

**REPAIR PARTS**

FITTING NO.

**510-GCTFWSLCP**

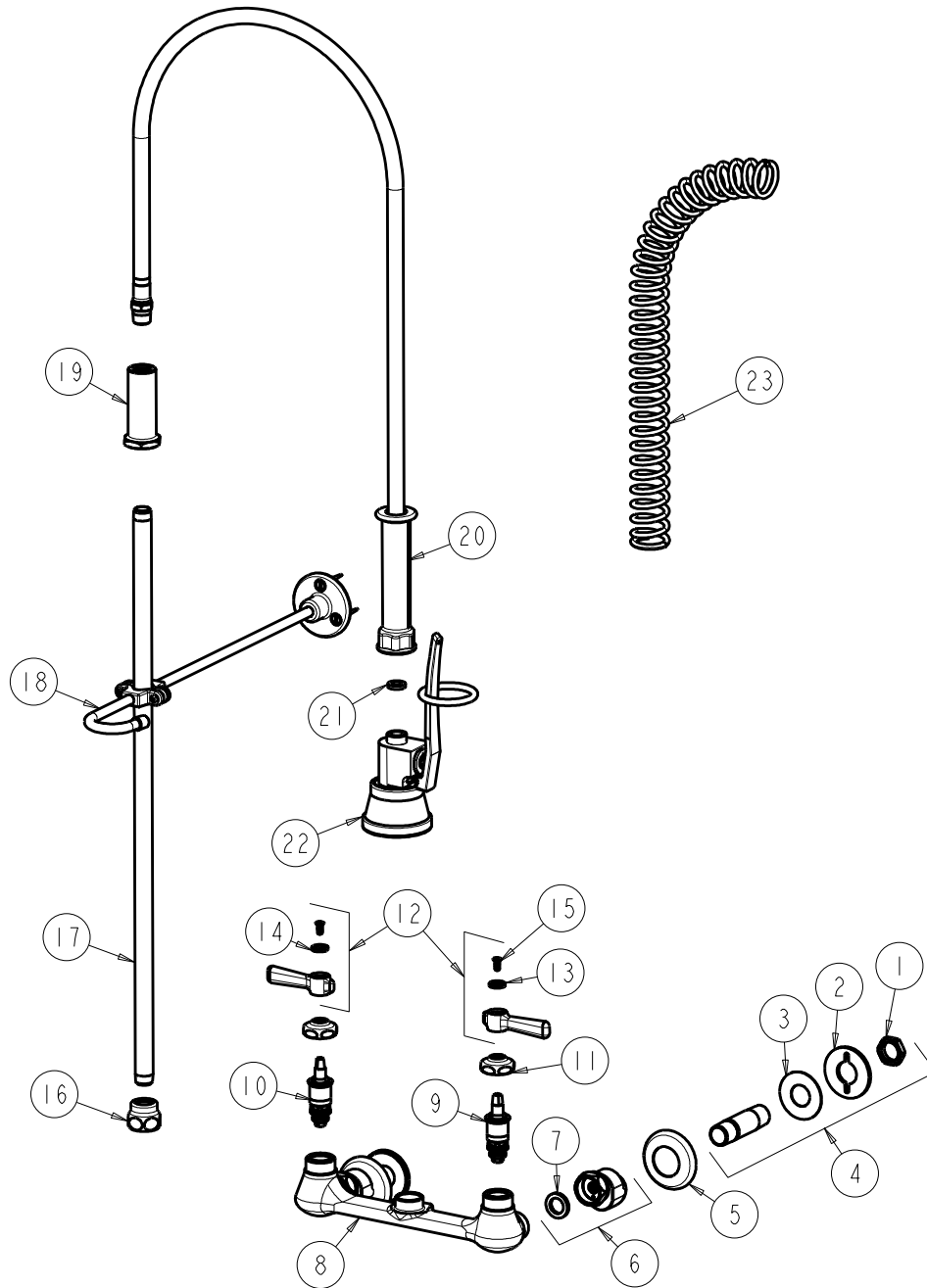
SUBMITTED MODEL NO.

ITEM NO.

**FOR TECHNICAL ASSISTANCE**  
1-800-TEC-TRUE (1-800-832-8783)

BY: SID DATE: 07-20-10

CHK: *[Signature]* REV: 11-18-11



ITEM	PART NO.	DESCRIPTION	ITEM	PART NO.	DESCRIPTION
1	49-004JKRBF	LOCKNUT	13	633-123JKNF	INDEX BUTTON (BLUE)
2	807-112JKNF	WASHER	14	633-023JKNF	INDEX BUTTON (RED)
3	52-007JKNF	WASHER, RUBBER	15	420-010JKRCF	SCREW, 10-32 UNC PH 1/2
4	932-001KJKRBF	INLET SHANK ASSEMBLY	16	BA2JKCP	ADAPTER 3/8 NPT X 1 1/16-18 UNEF
5	1-055JKCP	FLANGE	17	919-039JKCP	3/8" NPT X 23" RISER
6	GCJKABCP	ARM ASSEMBLY 'GC' WITH WASHER	18	902-MHJKCP	PIPE STRAP AND HOOK ASSEMBLY
7	1-011JKNF	WASHER, .97 X .62 X .12	19	919-038JKCP	GUIDE SHANK
8	---	VALVE BODY (NOT SOLD SEPARATELY)	20	83-44NF	44" HOSE AND HANDLE ASSEMBLY
9	1-099XTJKNF	QUATURN CARTRIDGE (RH)	21	919-243JKNF	GASKET, .685 X .375 X .125
10	1-100XTJKNF	QUATURN CARTRIDGE (LH)	22	99TF	TRIPLE FORCE PRE-RINSE VALVE
11	1-214JKCP	CAP	23	919-014JKCP	SPRING
12	369-PRJKCP	LEVER HANDLE ASSEMBLY (PAIR)			