

CHICAGO FAUCETS
a Geberit company

2100 South Clearwater Drive
Des Plaines, IL 60018
Phone: 847-803-5000
Fax: 847-803-5454
www.chicagofaucets.com

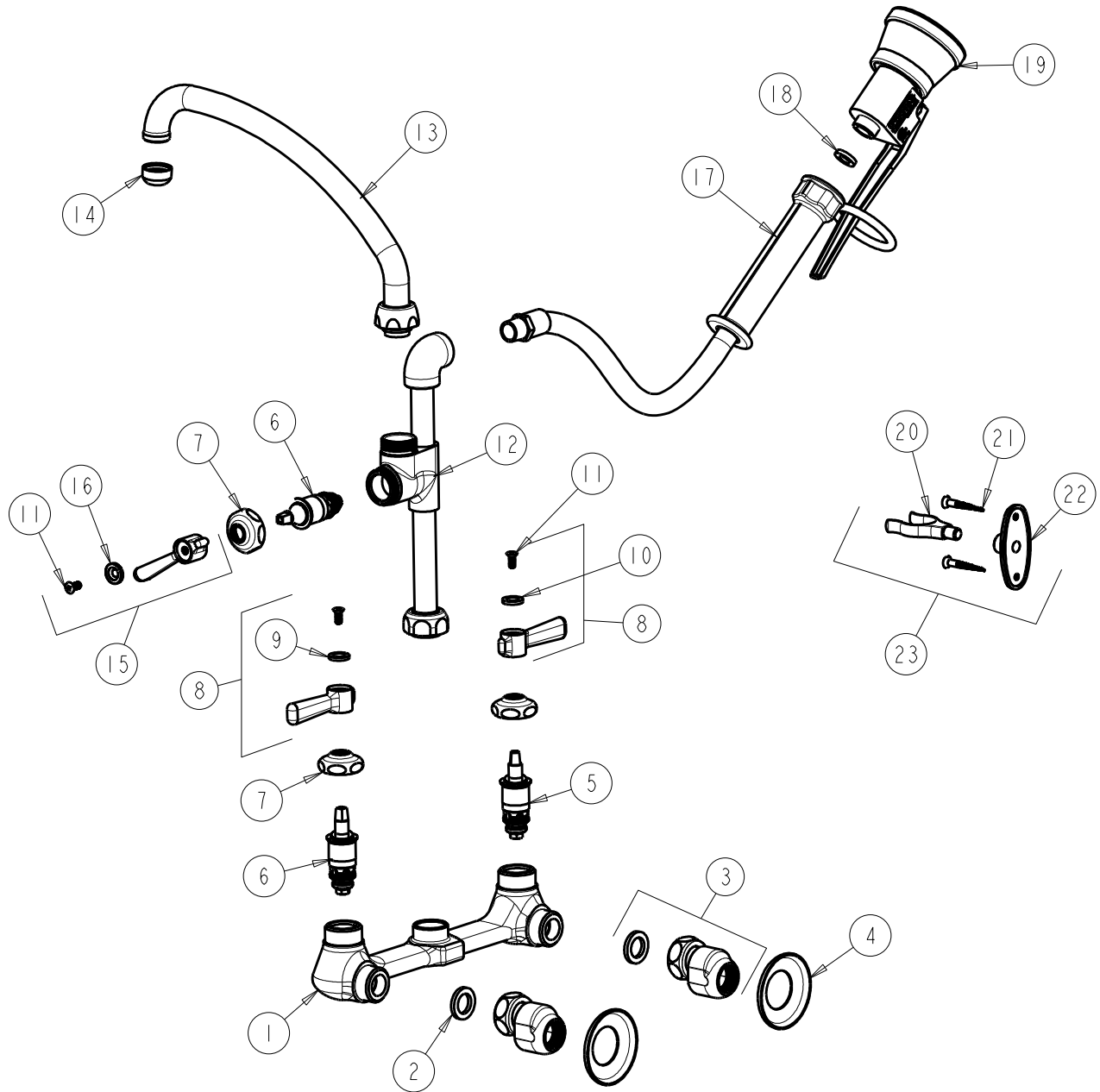
REPAIR PARTS

FITTING NO.
509-GCTFCP
SUBMITTED MODEL NO.

FOR TECHNICAL ASSISTANCE
1-800-TEC-TRUE (1-800-832-8783)

BY: SID DATE: 07-20-10
CHK: *[Signature]* REV: 11-18-11

ITEM NO.



ITEM	PART NO.	DESCRIPTION	ITEM	PART NO.	DESCRIPTION
1	—	VALVE BODY (NOT SOLD SEPARATELY)	13	L9LESSE3JKCP	SPOUT
2	1-011JKNF	WASHER, .97 X .62 X .12	14	E1JKRCF	QUIXTOP OUTLET
3	GCJKABCP	ARM ASSEMBLY 'GC' WITH WASHER	15	369-PLJKCP	PLAIN LEVER HANDLE
4	1-055JKCP	FLANGE	16	633-223JKNF	INDEX BUTTON (WHITE)
5	1-100XTJKNF	QUATURN CARTRIDGE (LH)	17	83-58NF	HOSE & HANDLE 58"
6	1-099XTJKNF	QUATURN CARTRIDGE (RH)	18	919-243JKNF	GASKET, .685 X .375 X .125
7	1-214JKCP	CAP	19	99TF	TRIPLE FORCE PRE-RINSE VALVE
8	369-PRJKCP	LEVER HANDLE ASSEMBLY (PAIR)	20	853-001JKCP	FORK
9	633-123JKNF	INDEX BUTTON (BLUE)	21	173-006JKCP	FLAT HEAD WOOD SCREW
10	633-023JKNF	INDEX BUTTON (RED)	22	173-109JKCP	FLANGE
11	420-010JKRCF	SCREW, 10-32 UNC PH 1/2	23	853-CP	WALL HOOK ASSEMBLY
12	—	VALVE BODY (NOT SOLD SEPARATELY)			