



a Geberit company

FOR TECHNICAL ASSISTANCE
1-800-TEC-TRUE (1-800-832-8783)

2100 South Clearwater Drive
Des Plaines, IL 60018
Phone: 847-803-5000
Fax: 847-803-5454
www.chicagofaucets.com

REPAIR PARTS

BY: JAR DATE: 01-16-12

CHK: *Jae* REV: 06-01-21

FITTING NO.

SEE SCHEDULE

SUBMITTED MODEL NO.

ITEM NO.

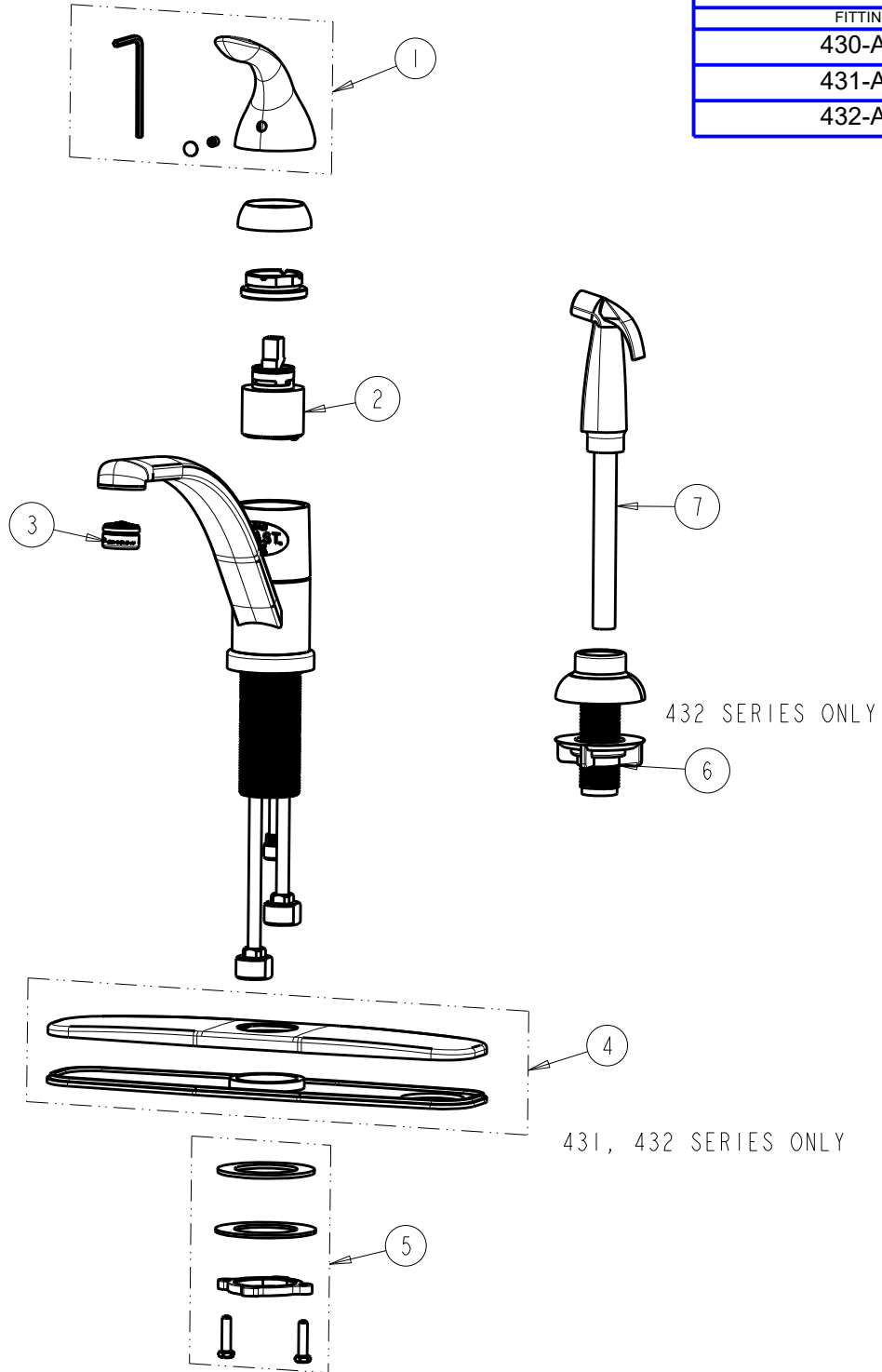
SCHEDULE

FITTING NO.

430-ABCP

431-ABCP

432-ABCP



ITEM	PART NO.	DESCRIPTION
1	430-001KJKCP	KIT, HANDLE
2	430-XJKABNF	CARTRIDGE, CERAMIC 35mm
3	E37JKABCP	OUTLET, LAMINAR 1.5 GPM [5.7 L/min.]
4	430-003KJKCP	ASSY, COVER PLATE 8 IN
5	430-002KJKNF	KIT, DECK MOUNTING HARDWARE
6	1103-014KJKNF	FLANGE ASSEMBLY (BLACK)
7	1103-419KJKABNF	SPRAY AND HOSE ASSEMBLY