

**CHICAGO FAUCETS** 

a Geberit company

2100 South Clearwater Drive  
Des Plaines, IL 60018  
Phone: 847-803-5000  
Fax: 847-803-5454  
www.chicagofaucets.com

# REPAIR PARTS

BY: SID

DATE: 08-31-09

CHK: 

REV:

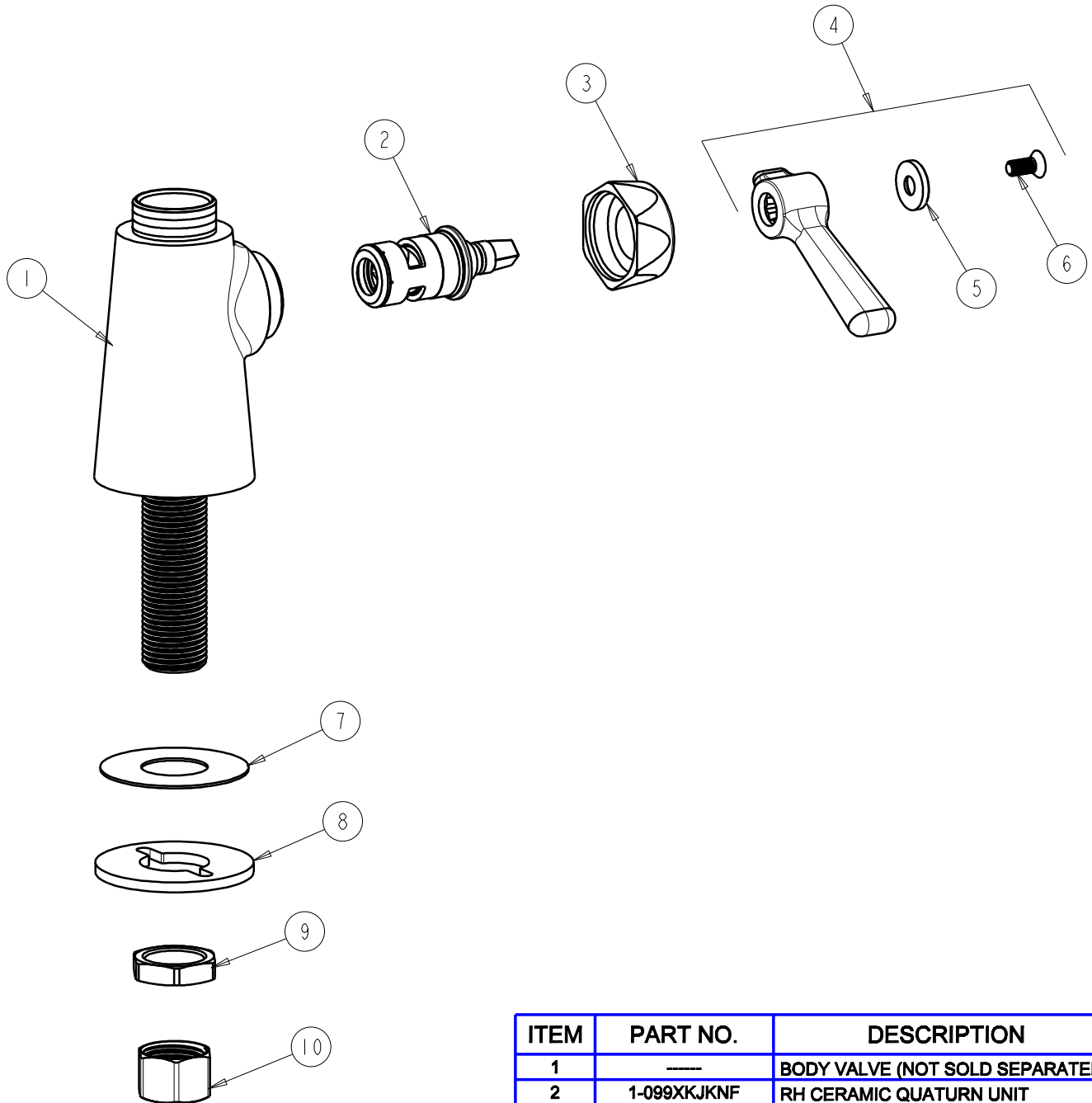
FITTING NO.

**349-LESSSPTXKCP**

SUBMITTED MODEL NO.

ITEM NO.

**FOR TECHNICAL ASSISTANCE**  
**1-800-TEC-TRUE (1-800-832-8783)**



ITEM	PART NO.	DESCRIPTION
1	----	BODY VALVE (NOT SOLD SEPARATELY)
2	1-099XKJKNF	RH CERAMIC QUATURN UNIT
3	444-005JKCP	CAP
4	369-COLDJKCP	LEVER HANDLE ASSEMBLY
5	633-123JKNF	INDEX BUTTON (BLUE)
6	420-010JKRCF	SCREW, 10-32 UNC PH 1/2
7	52-007JKNF	WASHER, RUBBER
8	807-112JKNF	WASHER
9	49-004JKRBF	LOCKNUT
10	49-005JKRBF	COUPLING NUT