

**CHICAGO FAUCETS**  
a Geberit company

2100 South Clearwater Drive  
Des Plaines, IL 60018  
Phone: 847-803-5000  
Fax: 847-803-5454  
www.chicagofaucets.com

**REPAIR PARTS**

BY: SID    DATE: 10-29-07  
CHK: *[Signature]*    REV:

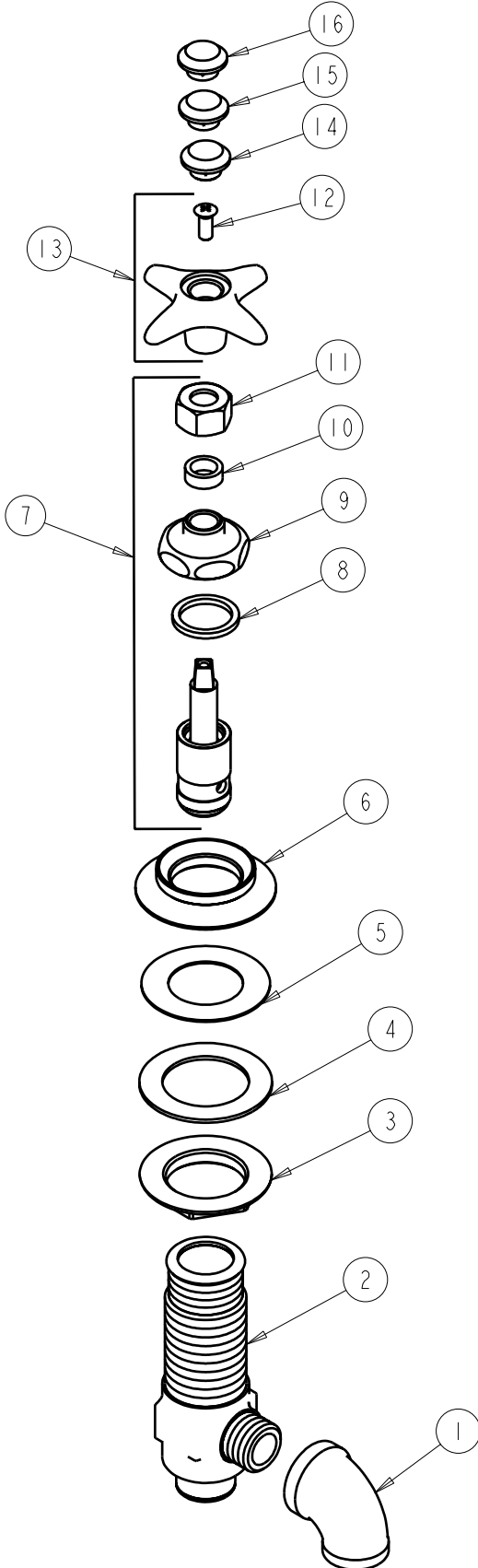
FITTING NO.

**1322-205AGVCP**

SUBMITTED MODEL NO.

ITEM NO.

**FOR TECHNICAL ASSISTANCE**  
**1-800-TEC-TRUE (1-800-832-8783)**



ITEM	PART NO.	DESCRIPTION
1	1320-005JKRBF	ELBOW
2	-----	VALVE BODY NOT SOLD SEPARATELY
3	250-004JKRBF	LOCKNUT
4	55-010JKNF	STEEL WASHER
5	739-056JKNF	RUBBER WASHER
6	1797-122JKCP	FLANGE
7	962-XJKNF	NEEDLE VALVE UNIT
8	1-043JKNF	CAP GASKET
9	937-018JKRCF	CAP NUT
10	244-217JKNF	PACKING
11	937-010JKCP	NUT
12	420-010JKRCF	SCREW, 10-32 UNC PH 1/2
13	205-LESS216-28JKNF	LAB HANDLE ASSEMBLY
14	216-328JKNF	BUTTON 'GAS'
15	216-278JKNF	BUTTON 'AIR'
16	216-378JKNF	BUTTON 'VAC'