



2100 South Clearwater Drive  
Des Plaines, IL 60018  
Phone: 847-803-5000  
Fax: 847-803-5454  
www.chicagofaucets.com

# REPAIR PARTS

FITTING NO.

1301-WSVGN2BVBE7SAM

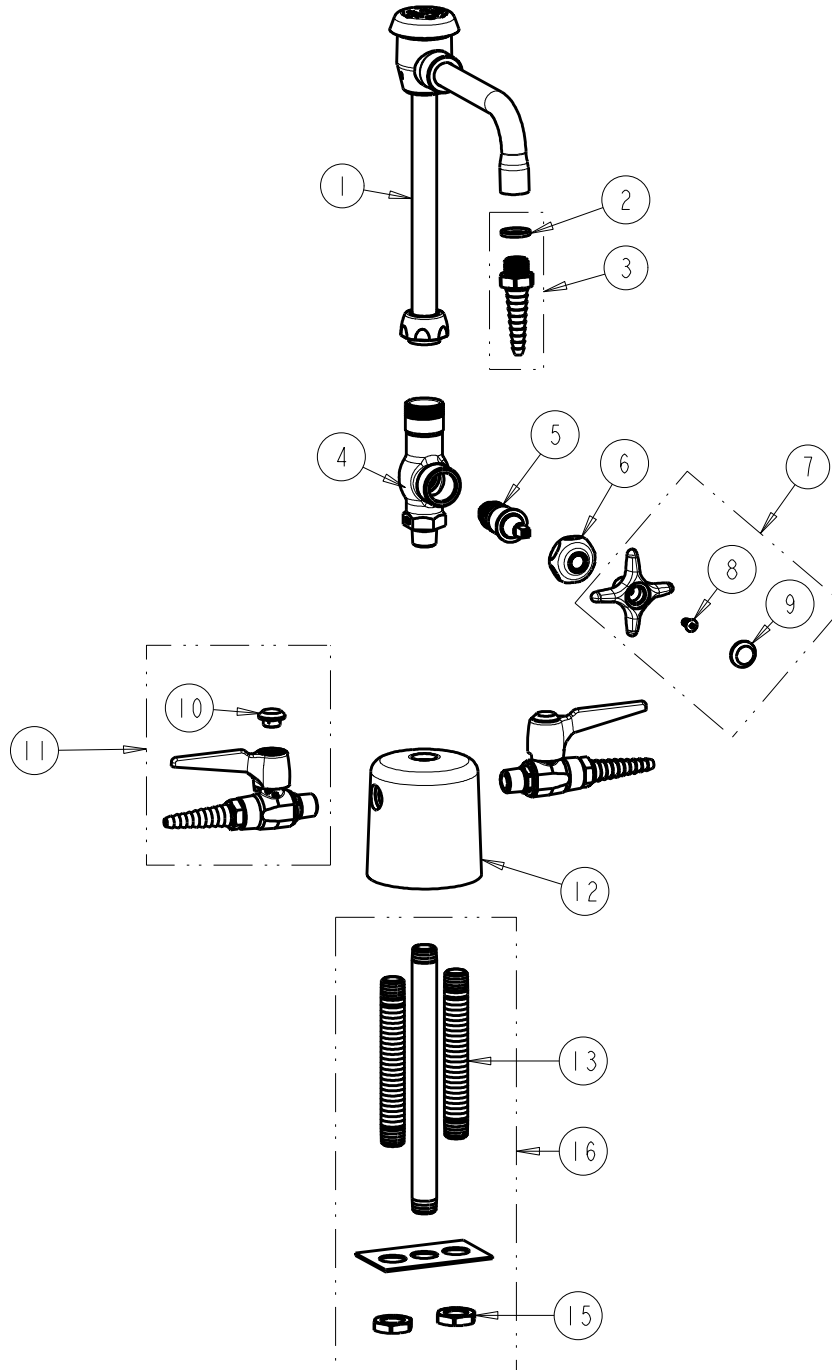
SUBMITTED MODEL NO.

ITEM NO.

BY: JAR DATE: 09-09-09

CHK: *[Signature]* REV:

**FOR TECHNICAL ASSISTANCE**  
1-800-TEC-TRUE (1-800-832-8783)



ITEM	PART NO.	DESCRIPTION	ITEM	PART NO.	DESCRIPTION
1	GN2BVBJKSAM	VACUUM BREAKER SWING SPOUT	9	216-178JKNF	BUTTON 'CW'
2	229-003JKABNF	WASHER	10	216-328JKNF	BUTTON 'GAS'
3	E7JKSAM	SERRATED HOSE NOZZLE	11	909-AGVJKSAM	BALL VALVE W/ INDEX BUTTONS
4	-----	BODY (NOT SOLD SEPARATLY)	12	-----	TURRET
5	217-XTLHJKABNF	CARTRIDGE, SLO-COMPRESSION (LH)	13	957-003JKABRBF	MALE THREAD SHANK
6	1-214JKSAM	CAP	14	1301-SB1KJKRBF	SHANK ASSEMBLY
7	204-CWJKSAM	HANDLE ASSEMBLY (CW)	15	705-008JKRBF	NUT
8	420-010JKRCF	SCREW, 10-32 UNC PH 1/2			