

CHICAGO FAUCETS
a Geberit company

2100 South Clearwater Drive
Des Plaines, IL 60018
Phone: 847-803-5000
Fax: 847-803-5454
www.chicagofaucets.com

REPAIR PARTS

FITTING NO.

1301-GN2BVBE7-909CCP

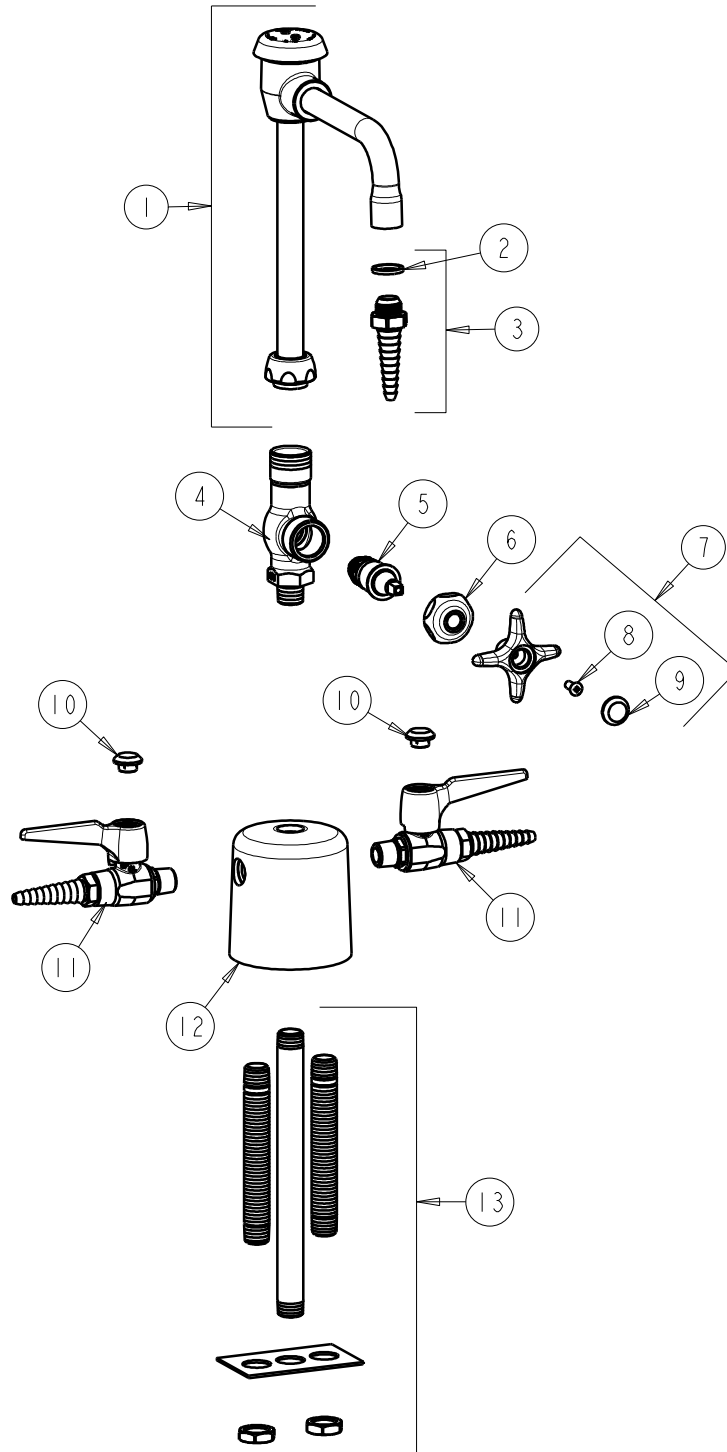
SUBMITTED MODEL NO.

ITEM NO.

BY: JAR DATE: 05-01-09

CHK: *[Signature]* REV:

FOR TECHNICAL ASSISTANCE
1-800-TEC-TRUE (1-800-832-8783)



ITEM	PART NO.	DESCRIPTION	ITEM	PART NO.	DESCRIPTION
1	GN2BVBE7JKCP	VACUUM BREAKER SWING SPOUT	8	420-010JKRCF	SCREW, 10-32 UNC PH 1/2
2	229-003JKNF	WASHER	9	216-178JKNF	BUTTON 'CW'
3	E7JKCP	SERRATED HOSE NOZZLE	10	216-328JKNF	BUTTON 'GAS'
4	----	BODY (NOT SOLD SEPARATLY)	11	909-CLESS216-28CP	BALL VALVE w/ CHECK VALVE
5	217-XTLHJKNF	CARTRIDGE, SLO-COMPRESSION	12	1301-SBJKCP	TURRET
6	1-214JKCP	CAP	13	1301-SB1KJKRBF	SHANK ASSEMBLY
7	204-CWJKCP	HANDLE ASSEMBLY			