



a Geberit company

2100 South Clearwater Drive
Des Plaines, IL 60018
Phone: 847-803-5000
Fax: 847-803-5454
www.chicagofaucets.com

REPAIR PARTS

BY: JAR DATE: 06-24-14

CHK: *[Signature]* REV:

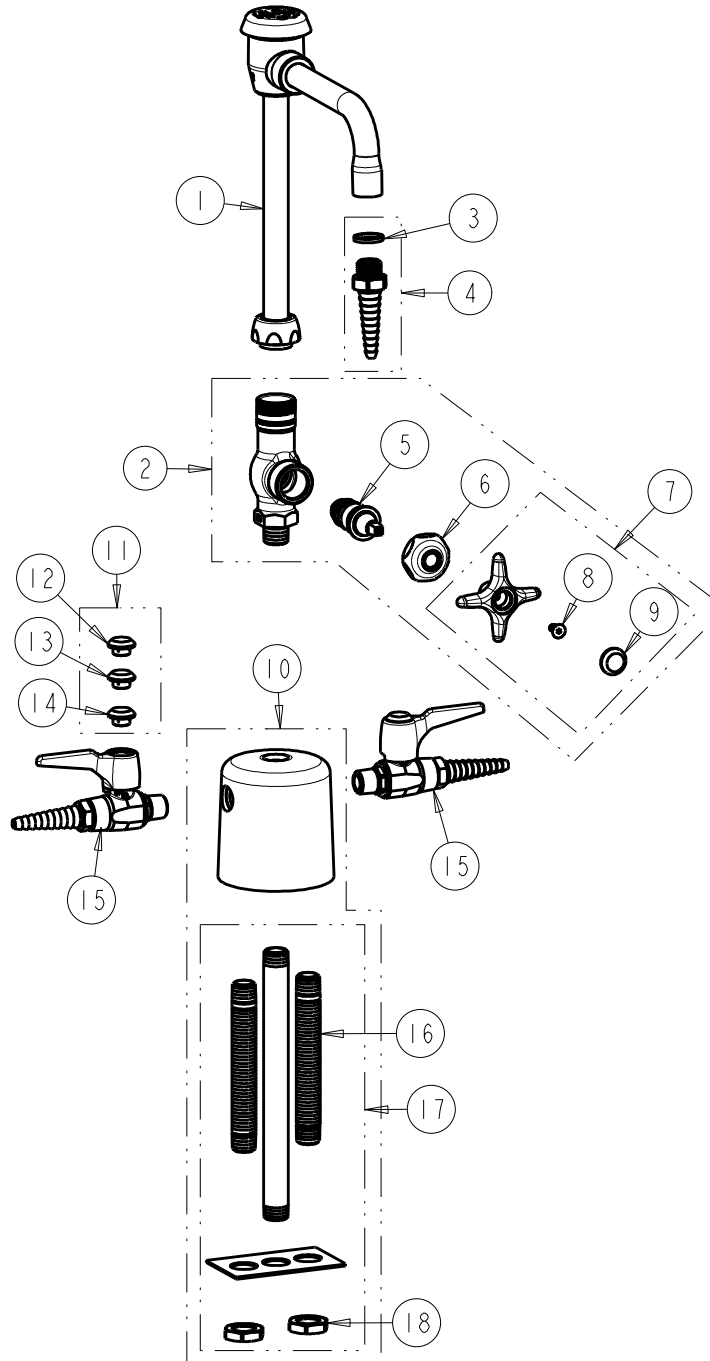
FITTING NO.

1301-GN2BVBE7-909

SUBMITTED MODEL NO.

ITEM NO.

FOR TECHNICAL ASSISTANCE
1-800-TEC-TRUE (1-800-832-8783)



ITEM	PART NO.	DESCRIPTION	ITEM	PART NO.	DESCRIPTION
1	GN2BVBJKABCP	SPOUT, VACUUM BREAKER	10	1301-SBJKCP	TURRET
2	937-225-5CP	WATER COCK	11	216-PPJKNF	PRE-PACK, BUTTONS (AIR, GAS, VAC)
3	229-003JKABNF	WASHER	12	216-378JKNF	BUTTON 'VAC'
4	E7JKCP	SERRATED HOSE NOZZLE	13	216-328JKNF	BUTTON 'GAS'
5	217-XTLHJKABNF	CARTRIDGE, SLO-COMPRESSION (LH)	14	216-278JKNF	BUTTON 'AIR'
6	1-214JKCP	CAP	15	909-LEB	BALL VALVE
7	204-CWJKCP	HANDLE ASSEMBLY (CW)	16	957-003JKABRBF	MALE THREAD SHANK
8	420-020JKNF	SCREW, 1/8 FLAT HEX HEAD X 1/2	17	1301-SB1KJKRBF	SHANK ASSEMBLY
9	216-178JKNF	BUTTON 'CW'	18	705-008JKRBF	NUT