

PARTS LIST

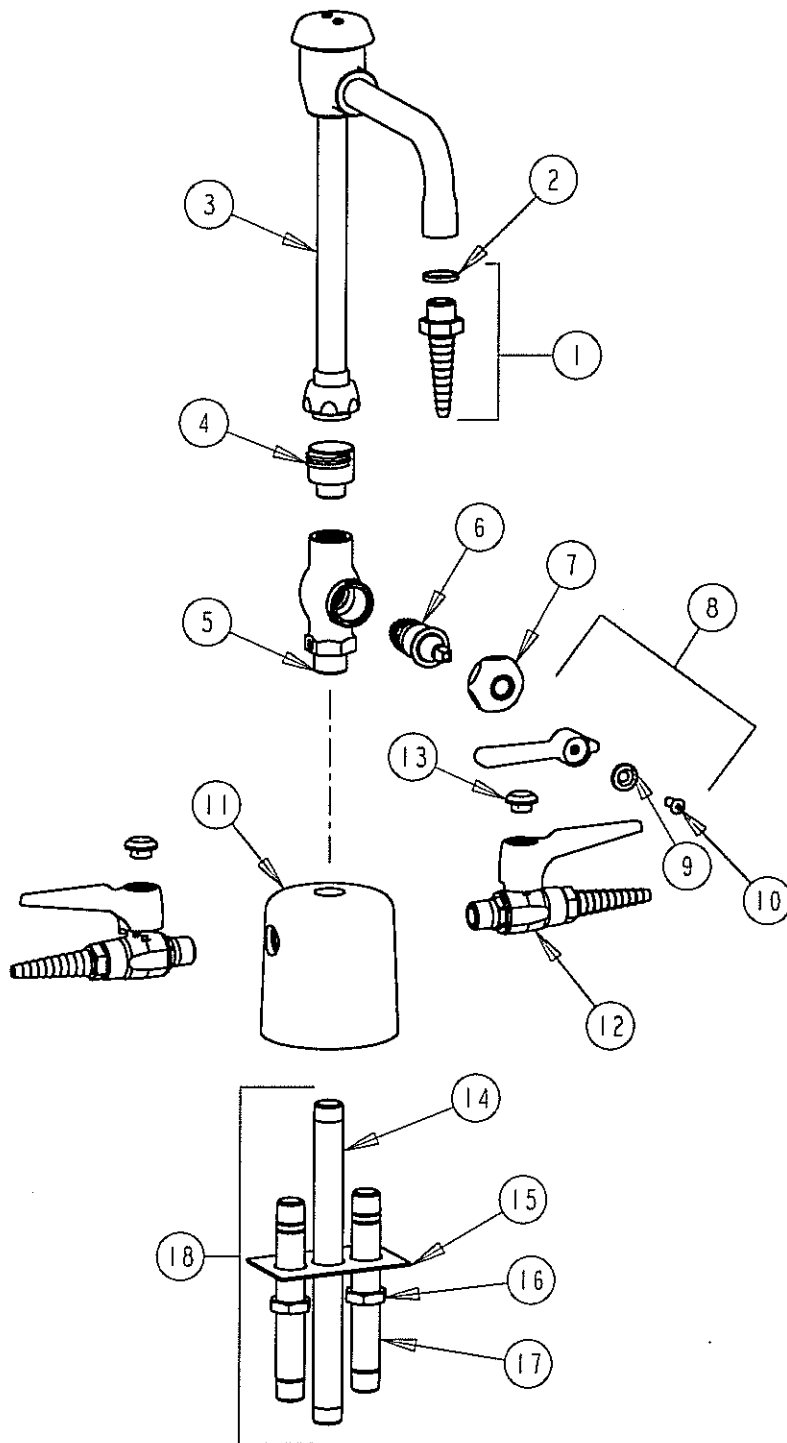
BY: SID
CHK'D: *DT*



FINISH:
DATE:

AS SPECIFIED
09-19-02

1301-GN2BVBE7-369



ITEM NO.	PART NO.	DESCRIPTION	ITEM NO.	PART NO.	DESCRIPTION
1	E7	LAB NOZZLE OUTLET	10	420-010	SCREW
2	229-003	WASHER	11	1301-SB	TURRET
3	GN2BVB	V B SPOUT B TYPE END	12	909LESS216-28	BALL VALVE WITH CHECK
4	225-005	ADAPTER	13	216-328	'GAS' INDEX BUTTON
5	-----	VALVE BODY (NOT SOLD SEPARATELY)	14	686-025	NIPPLE
6	1-099XT	QUATURN UNIT (RH)	15	1301-003	STEEL PLATE
7	1-214	CAP	16	1301-002	LOCKNUT
8	369-COLD	COLD LEVER HANDLE ASSEMBLY	17	957-003	MALE THREAD SHANK
9	633-123	INDEX BUTTON (BLUE)	18	1301-SBIK	SHANK ASSEMBLY