

**CHICAGO FAUCETS**  
a Geberit company

2100 South Clearwater Drive  
Des Plaines, IL 60018  
Phone: 847-803-5000  
Fax: 847-803-5454  
www.chicagofaucets.com

**REPAIR PARTS**

FITTING NO.

**1100-LESSSPT317CP**

SUBMITTED MODEL NO.

BY: JAR

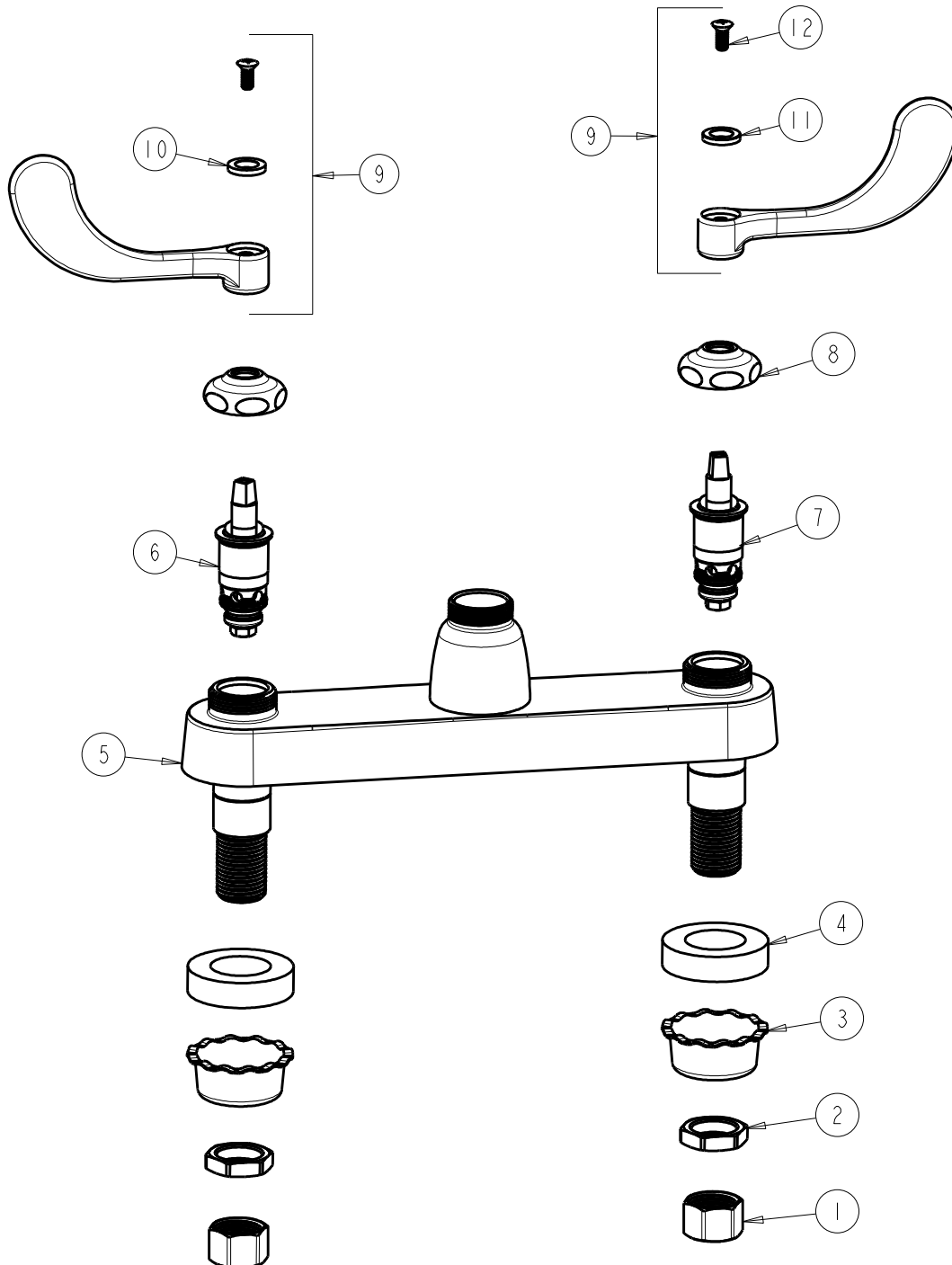
DATE: 03-25-09

CHK: *[Signature]*

REV:

ITEM NO.

**FOR TECHNICAL ASSISTANCE**  
**1-800-TEC-TRUE (1-800-832-8783)**



| ITEM | PART NO.     | DESCRIPTION                      | ITEM | PART NO.     | DESCRIPTION                  |
|------|--------------|----------------------------------|------|--------------|------------------------------|
| 1    | 49-005JKRBF  | COUPLING NUT                     | 7    | 1-099XTJKNF  | QUATURN UNIT (RH)            |
| 2    | 49-004JKRBF  | LOCKNUT                          | 8    | 1-214JKCP    | CAP                          |
| 3    | 1797-114JKNF | BASIN COCK WASHER                | 9    | 317-PRJKCP   | HANDLE, 4" WRISTBLADE (PAIR) |
| 4    | 555-313JKNF  | WASHER                           | 10   | 633-023JKNF  | INDEX BUTTON (RED)           |
| 5    | -----        | VALVE BODY (NOT SOLD SEPARATELY) | 11   | 633-123JKNF  | INDEX BUTTON (BLUE)          |
| 6    | 1-100XTJKNF  | QUATURN UNIT (LH)                | 12   | 420-010JKRCF | SCREW, 10-32 UNC PH 1/2      |