

**CHICAGO FAUCETS**  
a Geberit company

2100 South Clearwater Drive  
Des Plaines, IL 60018  
Phone: 847-803-5000  
Fax: 847-803-5454  
www.chicagofaucets.com

**REPAIR PARTS**

FITTING NO.

1100-GN8AE35-317ABCP

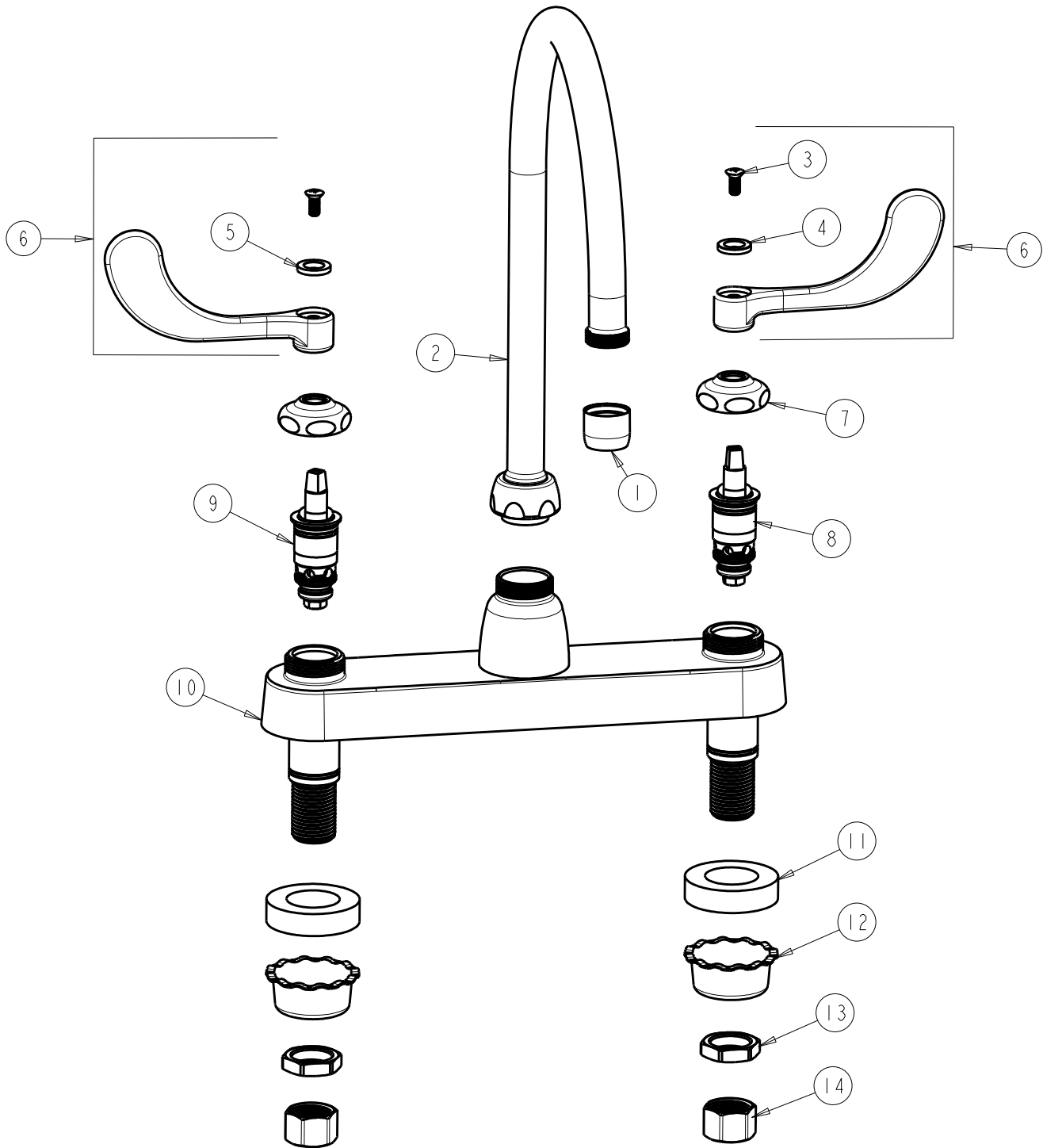
SUBMITTED MODEL NO.

BY: SID DATE: 04-15-11

CHK: *[Signature]* REV:

ITEM NO.

**FOR TECHNICAL ASSISTANCE**  
1-800-TEC-TRUE (1-800-832-8783)



ITEM	PART NO.	DESCRIPTION	ITEM	PART NO.	DESCRIPTION
1	E35JKCP	SOFTFLO AERATOR 1.5 GPM	8	1-099XTJKABNF	QUATURN UNIT (RH)
2	GN8AJKABCP	FOR PARTS SEE GN8AJKABCP	9	1-100XTJKABNF	QUATURN UNIT (LH)
3	420-010JKRCF	SCREW, 10-32 UNC PH 1/2	10	---	VALVE BODY (NOT SOLD SEPARATELY)
4	633-123JKNF	INDEX BUTTON (BLUE)	11	555-313JKNF	WASHER
5	633-023JKNF	INDEX BUTTON (RED)	12	1797-114JKNF	BASIN COCK WASHER
6	317-PRJKCP	HANDLE, 4" WRISTBLADE (PAIR)	13	49-004JKRBF	LOCKNUT
7	1-214JKCP	CAP	14	49-005JKRBF	COUPLING NUT