

CHICAGO FAUCETS
a Geberit company

2100 South Clearwater Drive
Des Plaines, IL 60018
Phone: 847-803-5000
Fax: 847-803-5454
www.chicagofaucets.com

REPAIR PARTS

FITTING NO.

834-EPLESS698LESSPEDALSCP

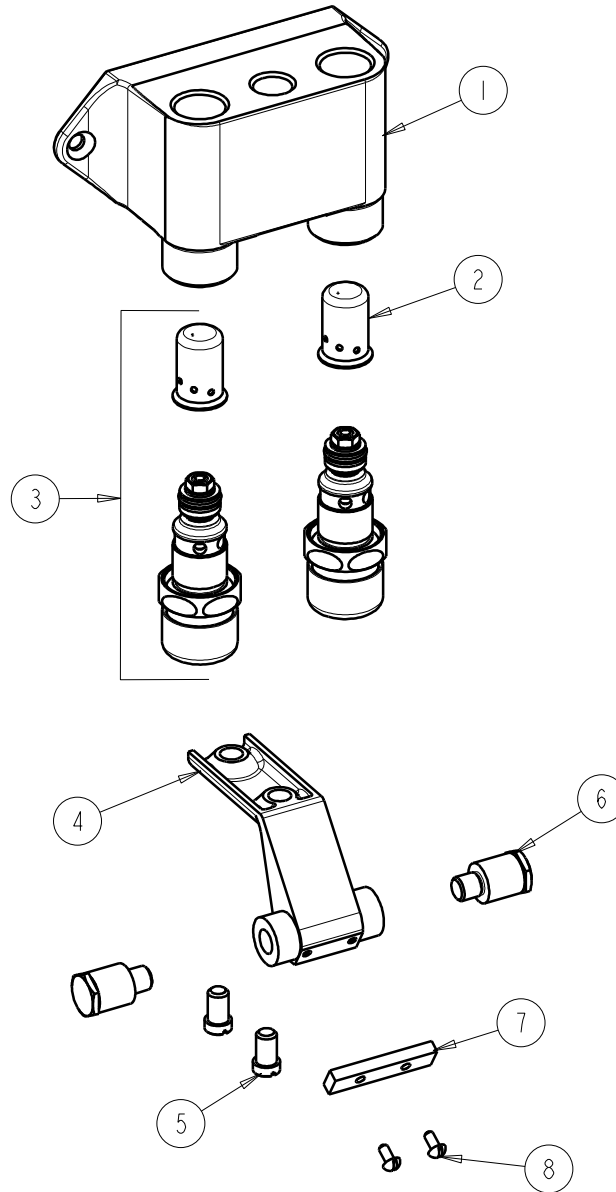
SUBMITTED MODEL NO.

ITEM NO.

BY: SID DATE: 07-20-09

CHK: *[Signature]* REV:

FOR TECHNICAL ASSISTANCE
1-800-TEC-TRUE (1-800-832-8783)



ITEM	PART NO.	DESCRIPTION
1	-----	VALVE BODY (NOT SOLD SEPARATELY)
2	333-075JKNF	DASHPOT
3	625-XJKNF	FOR PARTS SEE 625-X
4	834-013JKCP	PEDAL BRACKET
5	625-006JKBNF	SCREW, PAN HEAD 5/16-18 UNC
6	625-061JKRCF	BOLT, SHOULDER 3/8-24 UNF X 5/8 HEX
7	834-012JKNF	PEDAL STOP
8	76-008JKNF	SCREW, ROUND HEAD 6-32